

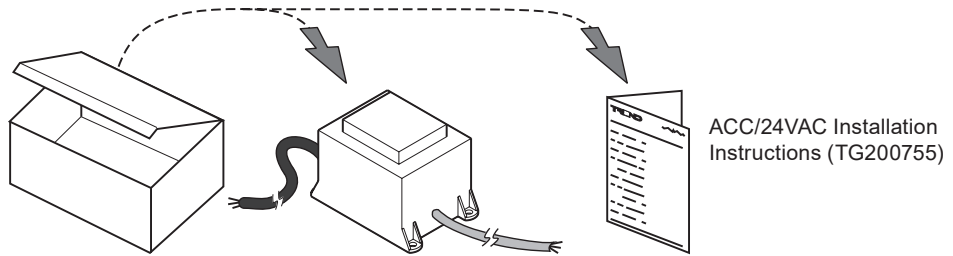
Important: Retain these instructions

These instructions shall be used by trained service personnel only. If the equipment is used in a manner not specified by these instructions, the protection provided by the equipment may be impaired.

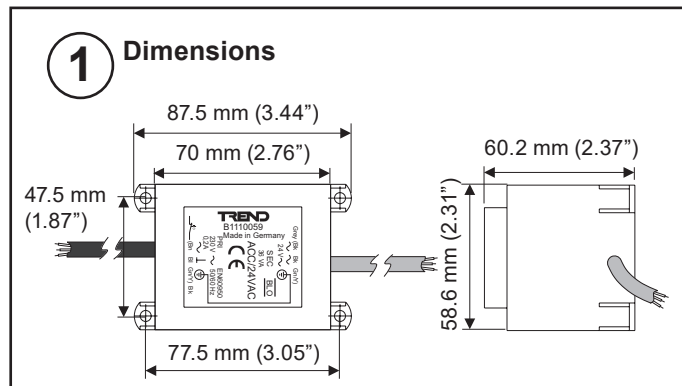
<https://partners.trendcontrols.com>



1 UNPACKING



2 INSTALLATION



It is recommended that the installation should comply with the local electrical safety installation practices (e.g. HSE Memorandum of Guidance on Electricity at Work Regulations 1989, USA National Electric Code).

2 Requirements

 0 °C 32 °F → 40 °C 113 °F ✓	 	
 0 %RH → 80 %RH H ₂ O ✓	 	

2 INSTALLATION (Continued)

3 Mounting

4 holes
Ø4 mm (0.16")

The transformer should be securely mounted using the appropriate fixing screws for the installation.

230 Vac 50/60 Hz, 36 VA max

230 Vac
~ L BN
⊥ N BL
⊥ E GN/Y

black sheath grey sheath

4 Spur Wiring

230 Vac
50/60Hz
supply

Switched fused spur

BS1362 cartridge fuse
3A

black sheath grey sheath

Isolate before installation

It is recommended that the transformer be installed using an appropriate double pole switched fused spur unit with a maximum fuse rating of 3A. A standard BS1362 cartridge fuse should be used for this purpose. Although, the spur unit may be supplied with a BS1362 13A fuse, this must be replaced with a 3A fuse. The transformer ACC/24VAC should be installed for indoor use only and used with Trend manufactured equipment.

5 Connect to Load

black sheath grey sheath

BK BK } 24 Vac
GN/Y } earth

IQview
L
N
E

3 Disposal

WEEE Directive :
At the end of their useful life the packaging and product should be disposed of by a suitable recycling centre.
Do not dispose of with normal household waste.
Do not burn.

Please send any comments about this or any other Trend technical publication to techpubs@trendcontrols.com

© 2018 Honeywell Technologies Sàrl, ECC Division. All rights reserved. Manufactured for and on behalf of the Environmental and Combustion Controls Division of Honeywell Technologies Sàrl, Z.A. La Pièce, 16, 1180 Rolle, Switzerland by its Authorized Representative.

Trend Control Systems Limited reserves the right to revise this publication from time to time and make changes to the content hereof without obligation to notify any person of such revisions or changes.

Trend Control Systems Limited

St. Marks Court, North Street, Horsham, West Sussex, RH12 1BW, UK. Tel: +44 (0)1403 211888, www.trendcontrols.com