

### Important: Retain these instructions

These instructions shall be used by trained service personnel only. If the equipment is used in a manner not specified by these instructions, the protection provided by the equipment may be impaired.

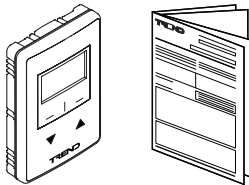


<https://partners.trendcontrols.com>

### CONTENTS

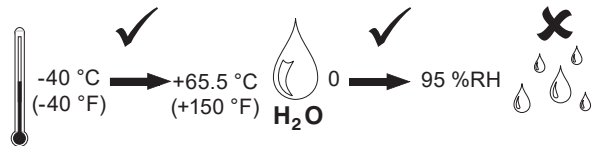
1	Box contents.....	1	4	Disposal.....	8
2	Storing.....	1	5	Security.....	8
3	Installation.....	1			

### 1 BOX CONTENTS



RS-WMB, RD-WMB Installation Instructions (TG201349)

### 2 STORING



### 3 INSTALLATION

#### 1 Dimensions

84 mm (3-5/16")

121 mm (4-49/64")

21 mm (53/64")

*Note: Display and buttons only present on RD-WMB, not RS-WMB.*

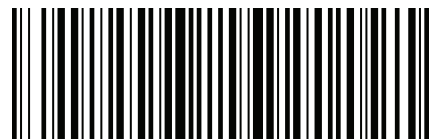
It is recommended that the installation should comply with the local electrical safety installation practices (e.g. HSE Memorandum of Guidance on Electricity at Work Regulations 1989, USA National Electric Code).

#### 2 Mounting Requirements

> 50 cm (1'6")

1.5 m (5')

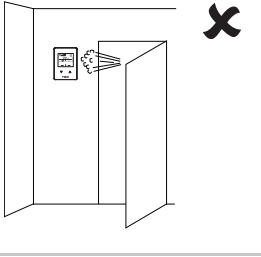
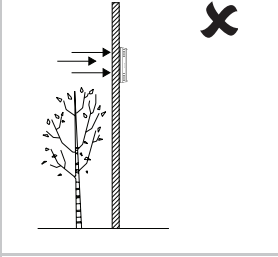
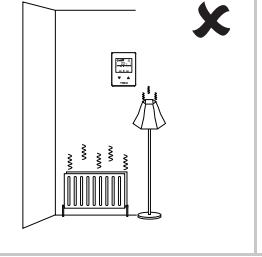
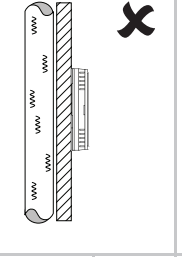
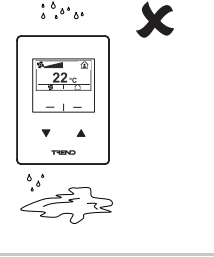
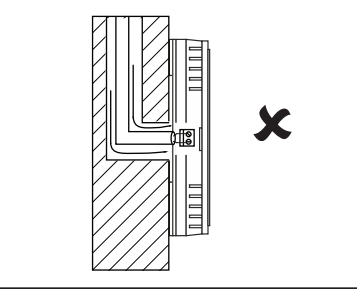
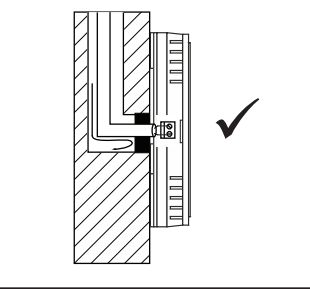
continued over page →



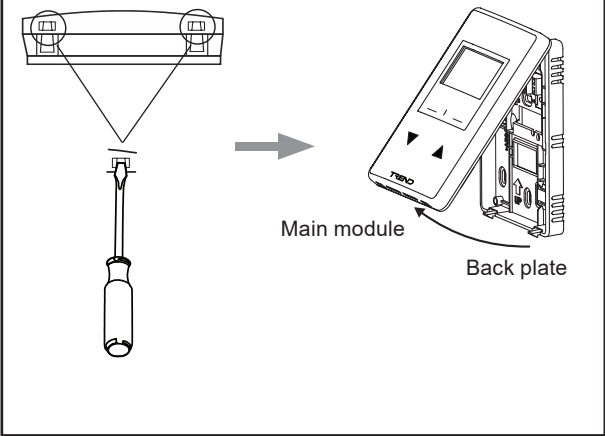
38-00022-12

3 INSTALLATION (continued)

2 Mounting Requirements (continued)

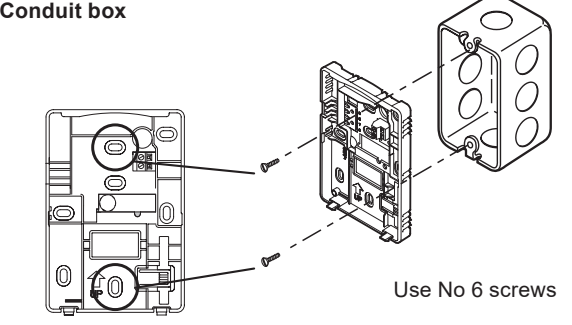
				
<p><b>Operating Altitude:</b> &lt;2000 m (6562')</p> <p>-10 °C (+14 °F) → +45 °C (+113 °F) ✓                  (maximum accuracy 0 to 40 °C, 32 to 104 °F)</p> <p>0 %RH → 90%RH ✓                  H<sub>2</sub>O</p>				

3 Remove Main Module



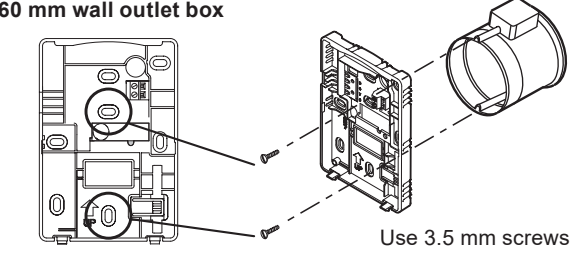
4 Mount Back Plate

**Conduit box**



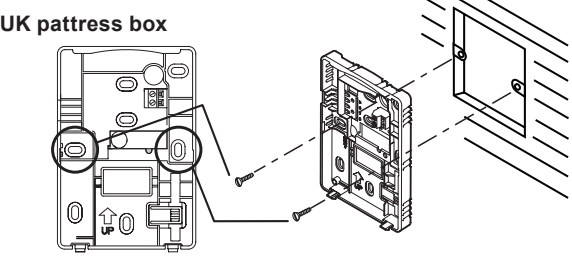
Use No 6 screws

**60 mm wall outlet box**



Use 3.5 mm screws

**UK pattress box**



Do not mount on a dry lining wall box as this prevents flush fitting.



3 INSTALLATION (continued)

**8 Configure Controller Strategy** (not pre-configured controllers)

The controller strategy must be configured using IQ®SET v7.0 or greater. For IQeco v2.3, IQ SET v7.04 or greater is required. For details of using IQ SET - see the IQ SET Manual (TE200147).

For an IQeco to make use of an RS/RD's integral CO<sub>2</sub> sensor, it must be v2.3 or greater. The controller configuration method described below must be used.

Otherwise, if use of an integral CO<sub>2</sub> sensor is not required, there is the option to use the I/O module 2 configuration method as described in the IQeco Configuration Manual TE201089. This method does not require an IQeco v2.3 or greater. However, IQeco v2.3 or greater will still support this method for compatibility with old strategies.

**Use with IQ4 and IQeco v2.3 or greater**

The controller can be configured either by using the IQ SET strategy block (recommended), or by manual configuration.

**Using the IQ SET strategy block (recommended):**

- Add the IQ SET Strategy Block to the strategy. The strategy blocks are located in the 'Standard Block' section of the Strategy Library in the 'WMB Room Modules' section. There is a separate section for RS and RD, each section has 4 blocks, one block for each product version (-T, -TC, -TH, -THC).
- Set the Wallbus Interface module's 'Address' parameter to the RS-WMB, RD-WMB's address on the Wallbus (default is 2.)
- Ensure that the Wallbus Interface module's inputs and outputs are linked to the required modules.

**Important:** When using the strategy block (as explained above) some PVs write their value to the RD-WMB and will overwrite changes to that PV made in the RD-WMB's Settings Menu. If this is not required, remove the PV from the Wallbus Interface module's inputs. See RS-WMB, RD-WMB Data Sheet (TA201348).

Adding the strategy block will automatically add the Wallbus Network module, and create an instance of the Wallbus Interface module.

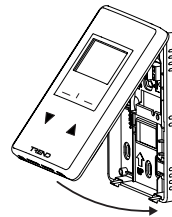
The strategy block configures the inputs and outputs of the Wallbus Interface module - see RS-WMB, RD-WMB Data Sheet (TA201348). This configuration should be suitable for most applications. If different functionality is required the strategy will need to be modified after the strategy block has been added.

**Manual configuration:**

- Add the Wallbus Network module to the strategy (default values will be suitable).
- Add a Wallbus Interface module to the strategy.
- IQ SET the Wallbus Interface module's 'Address' parameter to the RS-WMB, RD-WMB's address on the Wallbus.
- Set up the Wallbus Interface module's input and output connections to specify the PV (PV Index) in the RS-WMB, RD-WMB that they are to be linked to as well as their other parameters. The RS-WMB, RD-WMB's PVs are described in the RS-WMB, RD-WMB Data Sheet (TA201348).
- Link the Wallbus Interface module's inputs and outputs to the required modules in the strategy.

For details of the Wallbus Network and Wallbus Interface modules see the IQeco Configuration Manual (TE201089), or IQ4 Configuration Manual (TE201263).

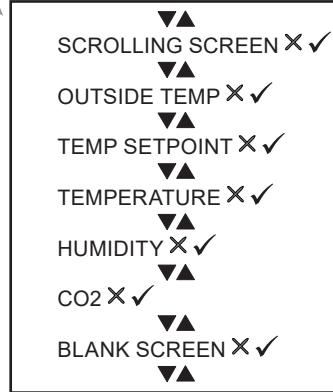
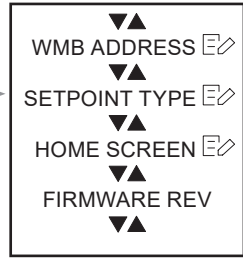
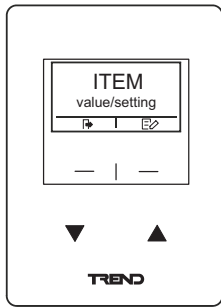
**9 Replace Front Panel**





3 INSTALLATION (continued)

12 Configure RD-WMB



Icon	Description
▼	Scroll down/next value
▲	Scroll up/previous value
✎	Edit selected value
⏪	Exit setting menu
✕	Reject change
✓	Accept change

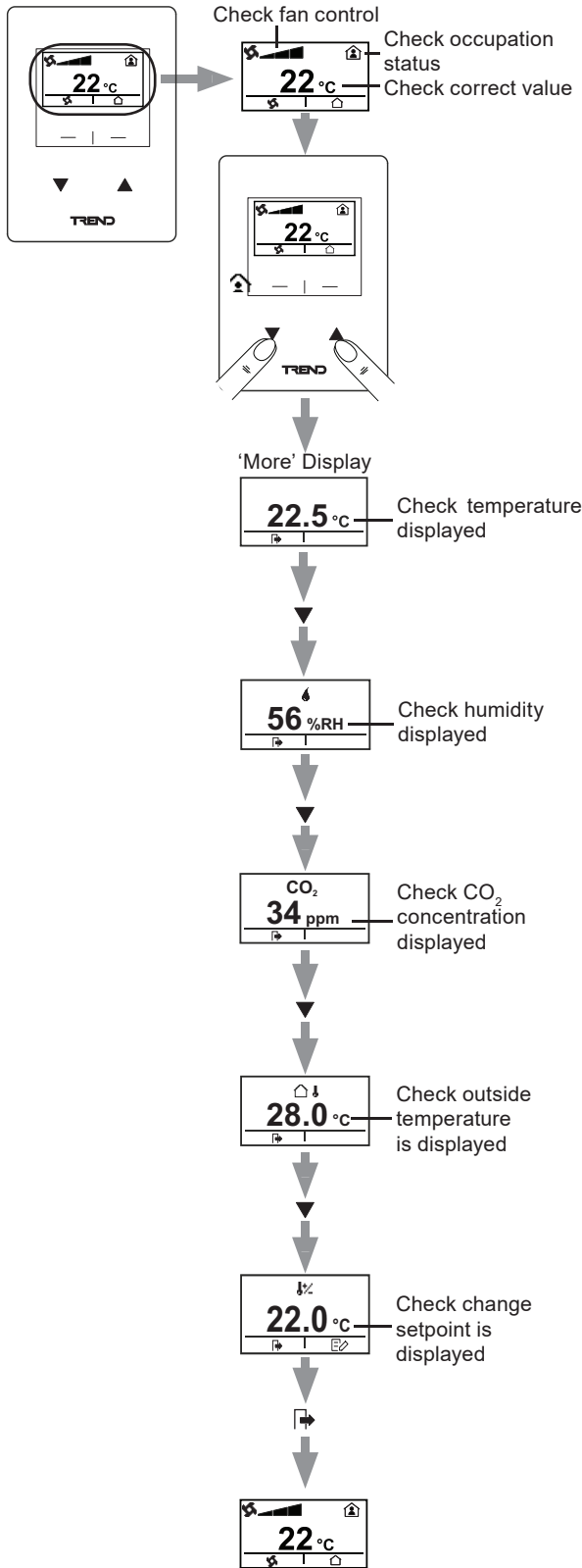
Option	Description
WMB ADDRESS	Can be set in range 2 to 15 if address switch in binary zero position.  <b>IQeco</b> Must be 2  <b>IQ4</b> Must be the same as the Wallbus Interface module in the strategy May need to be changed be if more than one device on wallbus.
SETPOINT TYPE	Can be set to the following: NUMERICAL GRAPHICAL

Option	Description
HOME SCREEN	Can be set to the following: SCROLLING SCREEN OUTSIDE TEMP TEMP SETPOINT TEMPERATURE HUMIDITY CO2 BLANK SCREEN
FIRMWARE REV	Read only

3 INSTALLATION (continued)

13

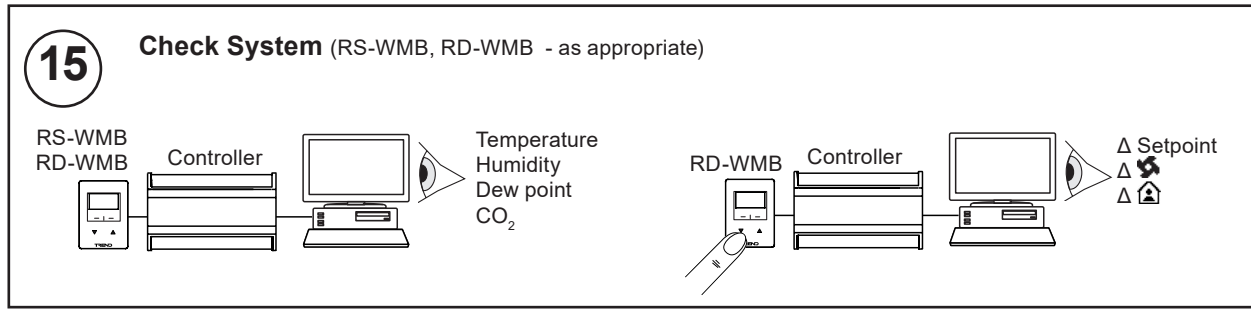
Check System using Display (RD-WMB only - as appropriate)




Only check those displays that are appropriate. Depending on the configuration some displays may not be visible

Note: The available displays can be seen in the 'More' menu regardless of the configuration of the 'Home' display

3 INSTALLATION (continued)



4 DISPOSAL

 **WEEE Directive:**  
 At the end of their useful life the packaging and product should be disposed of by a suitable recycling centre.  
 Do not dispose of with normal household waste.  
 Do not burn.

5 SECURITY

RS-WMB, RD-WMB must have its security correctly configured to reduce the risk of unauthorised access.

The advice described in the following sections must be followed.

Adopting normal installation and security best practice guidelines can mitigate the risk of a malicious IT attack from a skilled and equipped IT individual.

**Security Checklist**

- Physical access to wallbus cabling restricted
- RS-WMB, RD-WMB running latest release of firmware.

**Developing a Security Program**

Not applicable to RS-WMB, RD-WMB.

**Disaster Recovery Planning**

Not applicable to RS-WMB, RD-WMB.

**Physical and Environmental Considerations**

Ensure physical access to wallbus cabling restricted. (e.g embed the cable in the wall).

**Security Updates and Service Packs**

Not applicable to RS-WMB, RD-WMB

**Virus Protection**

Not applicable to RS-WMB, RD-WMB.

**Network Planning and Security**

Not applicable to RS-WMB, RD-WMB.

**Virtual Environments**

Not applicable to RS-WMB, RD-WMB.

**Securing Wireless Devices**

Not applicable to RS-WMB, RD-WMB.

**System Monitoring**

Not applicable to RS-WMB, RD-WMB.

**Windows Domains**

Not applicable to RS-WMB, RD-WMB.

**Securing Access to the Operating System**

Not applicable to RS-WMB, RD-WMB.

Please send any comments about this or any other Trend technical publication to [techpubs@trendcontrols.com](mailto:techpubs@trendcontrols.com)



© 2019 Honeywell Products and Solutions SARL, Connected Building Division. All rights reserved. Manufactured for and on behalf of the Connected Building Division of Honeywell Products and Solutions SARL, Z.A. La Pièce, 16, 1180 Rolle, Switzerland by its Authorized Representative, Trend Control Systems Limited.

Trend Control Systems Limited reserves the right to revise this publication from time to time and make changes to the content hereof without obligation to notify any person of such revisions or changes.

**Trend Control Systems Limited**

St. Mark's Court, North Street, Horsham, West Sussex, RH12 1BW, UK. Tel: +44 (0)1403 211888, [www.trendcontrols.com](http://www.trendcontrols.com)