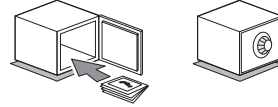


Important: Retain these instructions



These instructions shall be used by trained service personnel only

If the equipment is used in a manner not specified by these instructions, the protection provided by the equipment may be impaired.

CONTENTS

1 Unpacking	1 2 Installation
----------------------	------------------------------

1 UNPACKING



2 INSTALLATION

The TONN/BAT kit can be used as a replacement battery for TONN units requiring a backup battery for back up and shutdown in the event of power failure, or as a uninterrupter Power Supply (UPS) for TONN (E) units. See the TONN Data Sheet (TA201127) for details.

Important

- If replacing a battery follow steps (1), (2), (3), (4), (5) and (6)
- If using a a UPS follow steps (1), (2), (4) and (5)

WARNING:
Power to TONN must be OFF when replacing the battery, or damage will occur.)

It is recommended that the installation should comply with the local electrical safety installation practices (e.g. HSE Memorandum of Guidance on Electricity at Work Regulations 1989, USA National Electric Code).

1

Disconnect Power

Switch OFF

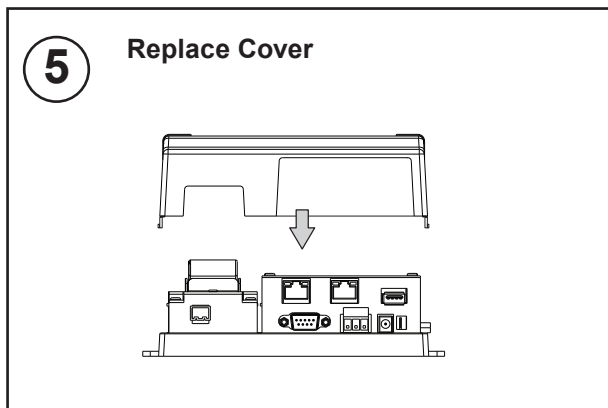
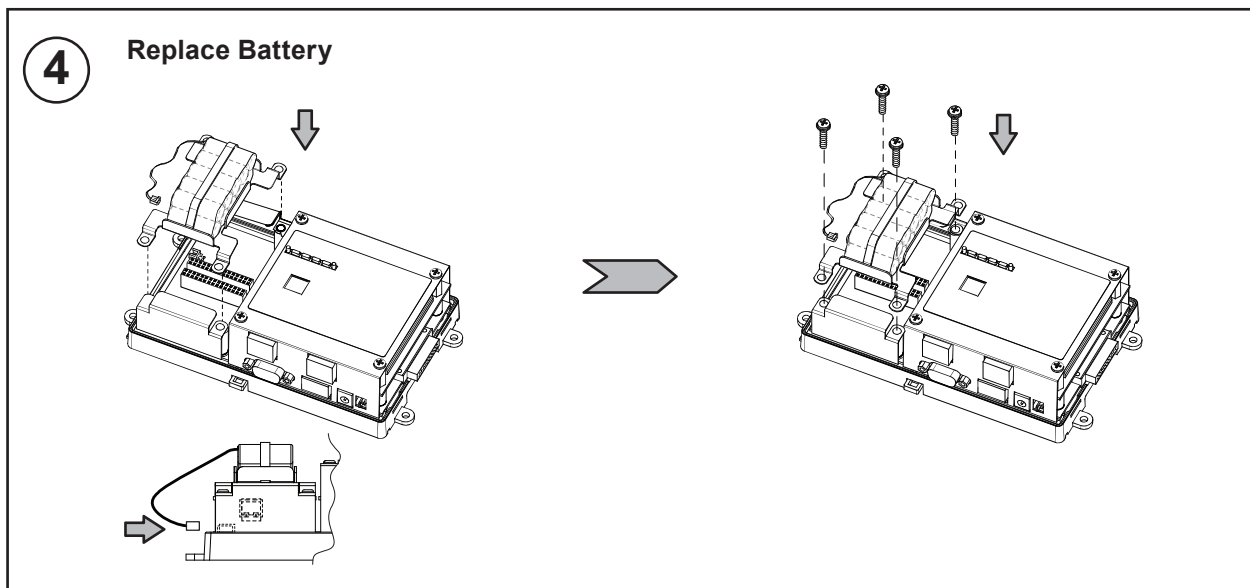
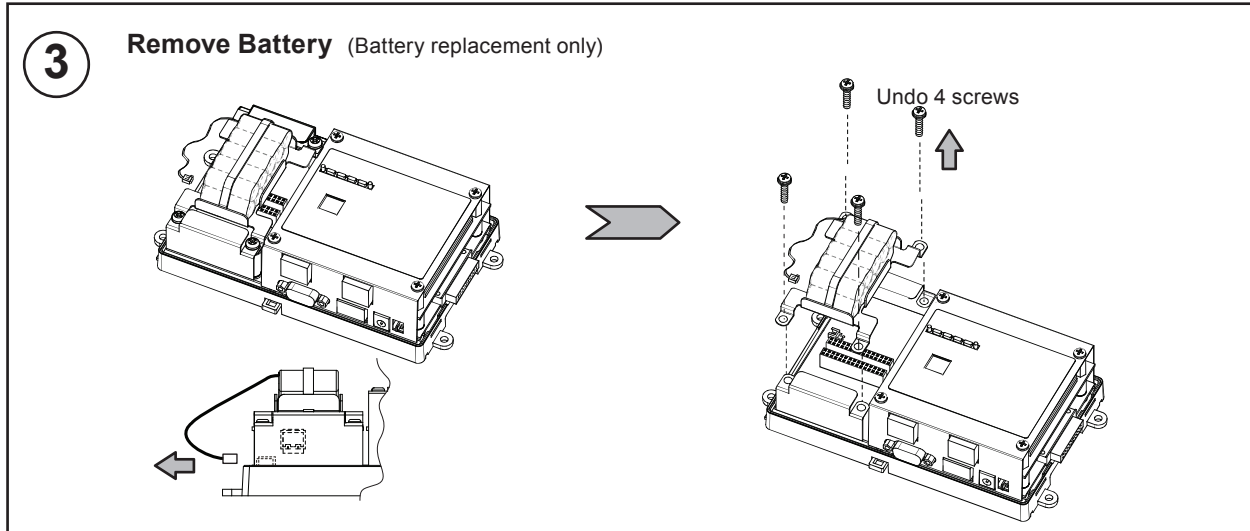
Disconnect Power

2

Remove Cover


Caution:
This unit contains static sensitive devices. Suitable anti-static precautions should be taken throughout this operation to prevent damage to the unit.
BS EN100015/1 Basic Specification: protection of electrostatic sensitive devices.

2 INSTALLATION (continued)



6 Dispose of Old Battery

Dispose of the old battery in accordance with all local and national regulations.



WEEE Directive:
 At the end of their useful life the packaging, and product should be disposed of by a suitable recycling centre.
 Do not dispose of with normal household waste.
 Do not burn.

Please send any comments about this or any other Trend technical publication to techpubs@trendcontrols.com

© 2013 Honeywell Technologies Sàrl, ECC Division. All rights reserved. Manufactured for and on behalf of the Environmental and Combustion Controls Division of Honeywell Technologies Sàrl, Z.A. La Pièce, 16, 1180 Rolle, Switzerland by its Authorized Representative.

Trend Control Systems Limited reserves the right to revise this publication from time to time and make changes to the content hereof without obligation to notify any person of such revisions or changes.

Trend Control Systems Limited

Albery House, Springfield Road, Horsham, West Sussex, RH12 2PQ, UK. Tel:+44 (0)1403 211888 Fax:+44 (0)1403 241608 www.trendcontrols.com

Trend Control System USA

6670 185th Avenue NE, Redmond, Washington 98052, USA. Tel:(425) 869-3900 Fax:(425) 869-8445 www.trend-americas.com