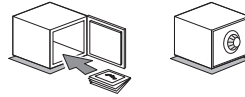
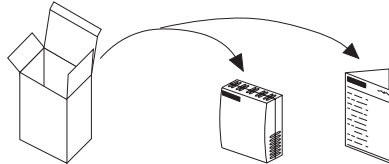


# Thermistor Room Temperature Sensors

Important: Retain these instructions



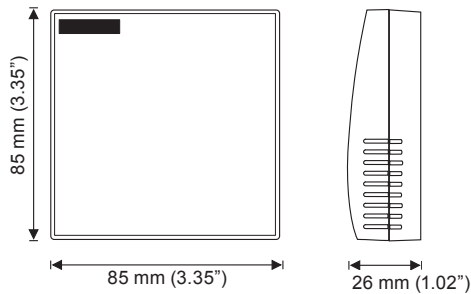
## UNPACKING



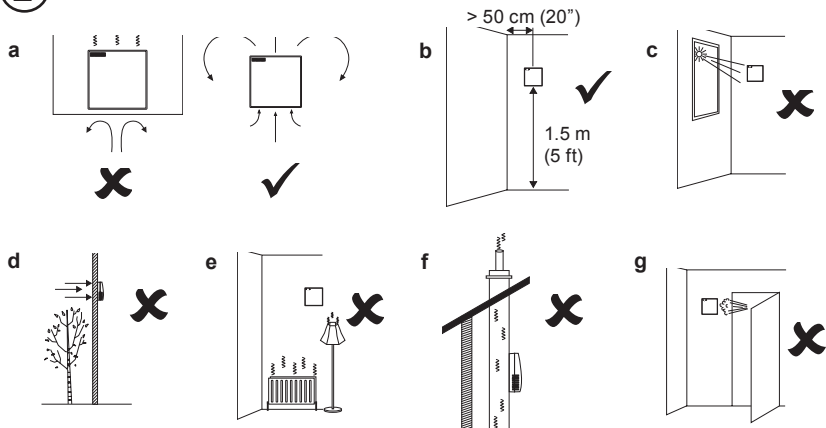
TB/TS Installation  
Instructions TG200604

## INSTALLATION

### 1 Dimensions

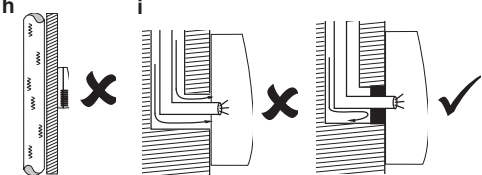
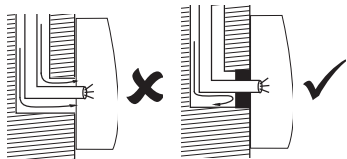



### 2 Requirements

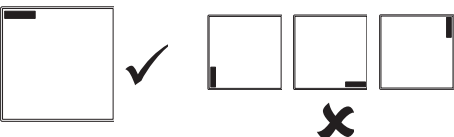



INSTALLATION (continued)

**2 Requirements (continued)**

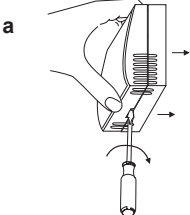
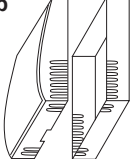
**h**  **i** 

**j**  -10 °C → +50 °C (14 °F → 122 °F) ✓  
0 °C → +40 °C measurement (32 °F → 104 °F)

**k** 

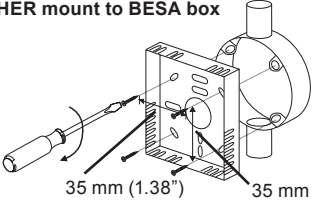
**l**  H<sub>2</sub>O 0 %RH → 90 %RH ✓

**3 Remove backplate**

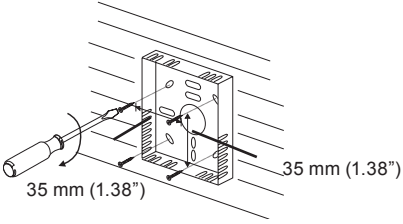
**a**  **b** 

**4 Mount backplate**

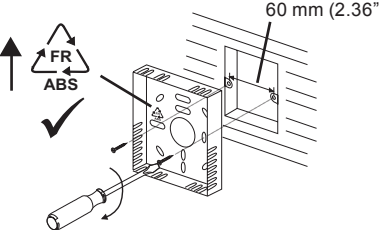
**EITHER mount to BESA box**

 35 mm (1.38") 35 mm (1.38")

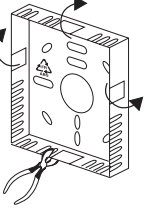
**OR wall**

 35 mm (1.38") 35 mm (1.38")

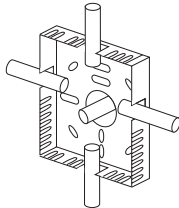
**OR wall box**

 60 mm (2.36")

**5 Remove cutout(s) as required**



**6 Route cables**



**INSTALLATION** (continued)

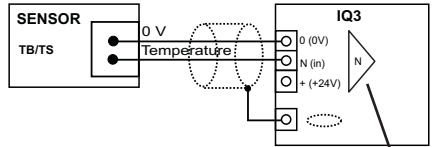
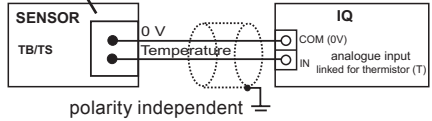
**7** Wire to controller

Terminal size 0.5 to 2.5 mm<sup>2</sup>  
(14 to 20 AWG)

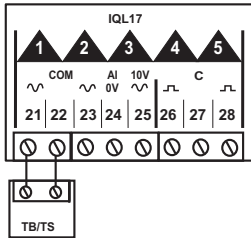
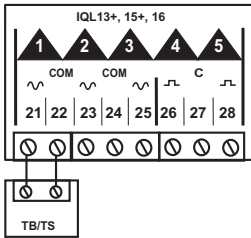
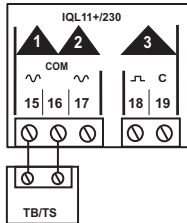
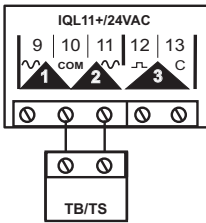
if IQL

Note that screened cable is not required for sensor wiring to IQLs. If screened cable is used, the screen must be terminated at the controller to its supply cable earth.

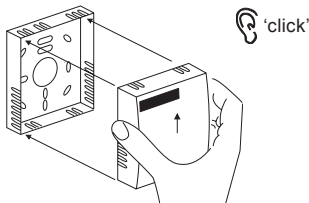
if IQ



IQL	OPTIONS
IQL11+, 13+, 15+, 16, 17	TB/TS



**8** Assemble unit



**INSTALLATION** (continued)

**9 Set up IQ Sensor types**

It is recommended to use SET (software tool) for the setting of sensor type modules. For all IQ2 series controllers with firmware version 2.1 or greater, or IQ3 series controllers, select the appropriate SET Unique Sensor Reference from the following:

- Thermistor: **Thermistor TBTS (°C)**
- Thermistor TBTS F (°F)**

Alternatively, set scaling mode to 5 (characters) and enter scaling manually, as defined in the table below.

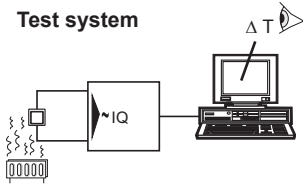
*Note that for IQ3 the scaling mode and exponent (E) do not need to be set up.*

For all other IQ controllers see Sensor Scaling Reference Card TB100521A

Units		°C	°F
<b>Y</b>	Input type	1 (thermistor volts)	
<b>E</b>	Exponent	3	
<b>U</b>	Upper	50	122
<b>L</b>	Lower	-5	23
<b>P</b>	Points	6	
<b>x</b>	<b>Ix</b>	<b>Ox (°C)</b>	<b>Ox (°F)</b>
<b>1</b>	2.641	50	122
<b>2</b>	3.47	40	104
<b>3</b>	4.46	30	86
<b>4</b>	6.663	10	50
<b>5</b>	7.668	0	32
<b>6</b>	8.102	-5	23

**10 Test system**


If IQ



If IQL



**DISPOSAL**



**WEEE Directive :**  
At the end of their useful life the packaging and product should be disposed of by a suitable recycling centre.  
Do not dispose of with normal household waste.  
Do not burn.

Please send any comments about this or any other Trend technical publication to [techpubs@trendcontrols.com](mailto:techpubs@trendcontrols.com)

© 2011 Honeywell Technologies Sàrl, ECC Division. All rights reserved. Manufactured for and on behalf of the Environmental and Combustion Controls Division of Honeywell Technologies Sàrl, Ecublens, Z.A. La Pièce, 16, 1180 Rolle, Switzerland by its Authorized Representative, Trend Control Systems Limited.

Trend Control Systems Limited reserves the right to revise this publication from time to time and make changes to the content hereof without obligation to notify any person of such revisions or changes.

**Trend Control Systems Limited**

Albery House, Springfield Road, Horsham, West Sussex, RH12 2PQ, UK. Tel:+44 (0)1403 211888 Fax:+44 (0)1403 241608 [www.trendcontrols.com](http://www.trendcontrols.com)

**Trend Control System USA**

6670 185<sup>th</sup> Avenue NE, Redmond, Washington 98052, USA. Tel:(425) 869-3900 Fax:(425) 869-8445 [www.trendcontrols.com](http://www.trendcontrols.com)