

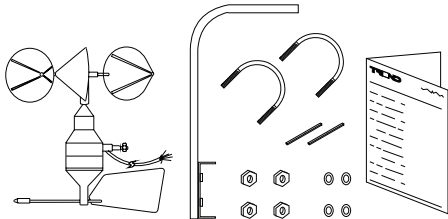
Important: Retain these instructions

These instructions shall be used by trained service personnel only. If the equipment is used in a manner not specified by these instructions, the protection provided by the equipment may be impaired.

<https://partners.trendcontrols.com>



1 BOX CONTENTS



WS/S, /SD Installation Instructions (TG102613)

2 INSTALLATION

1 Dimensions

2 Requirements

-20 °C (-4 °F) → +70 °C (158 °F)

LOCATION
Choose location where wind speed is representative of area to be measured

WS/S, /SD Data Sheet (TA102481)

3 Change Bracket fixing (if required for horizontal rail)

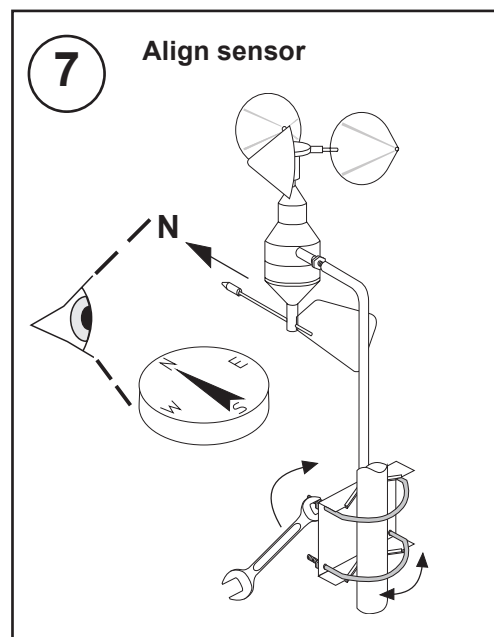
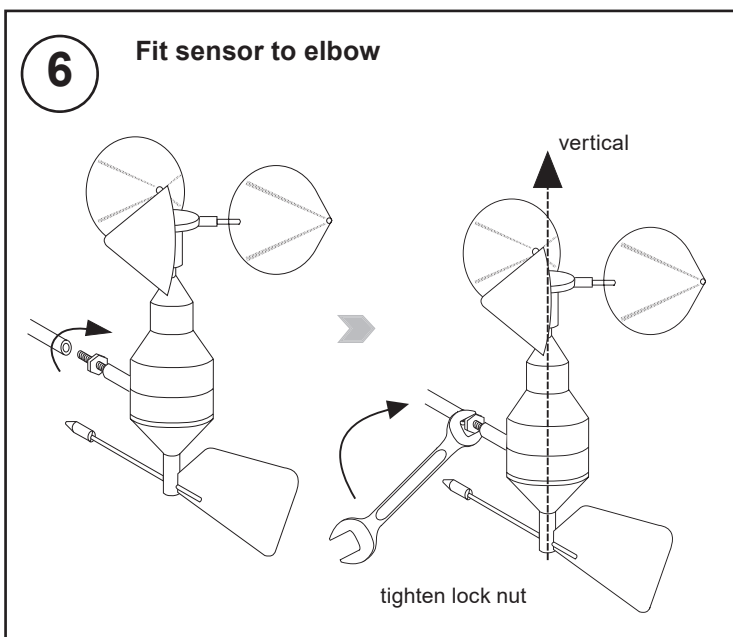
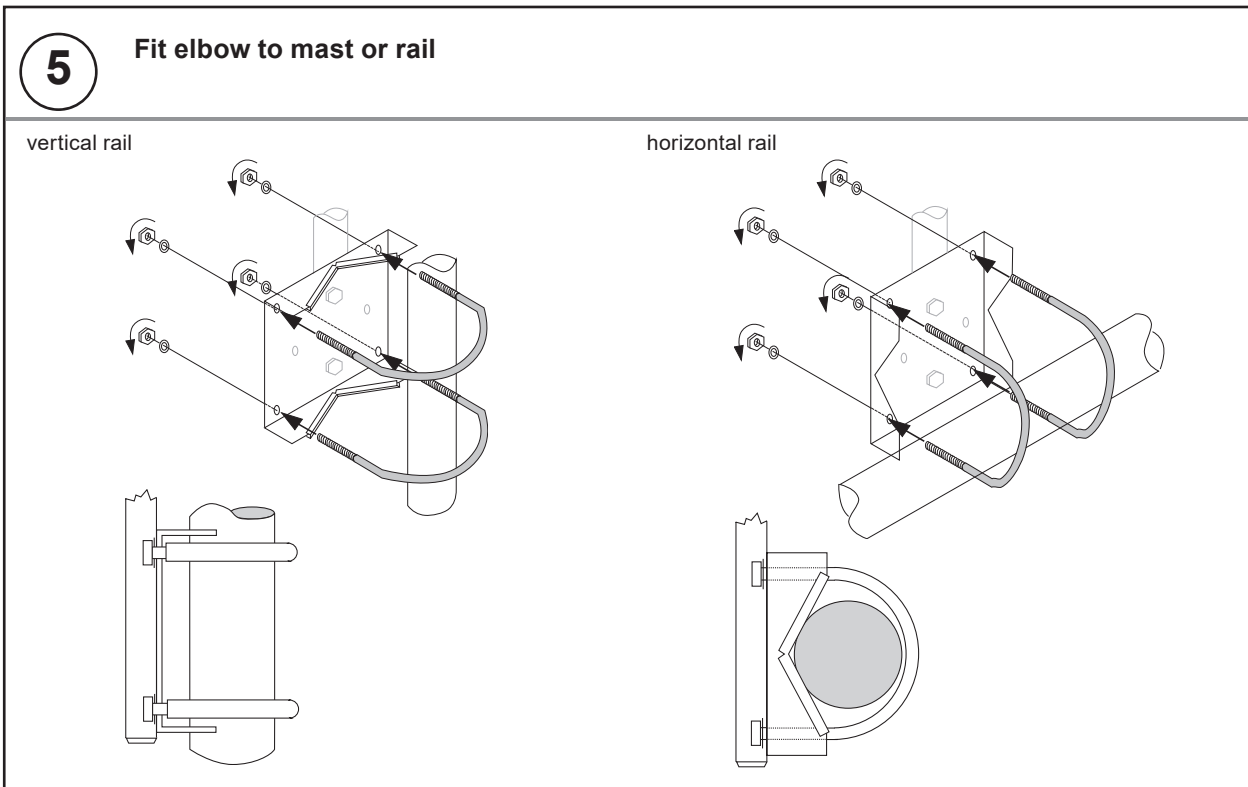
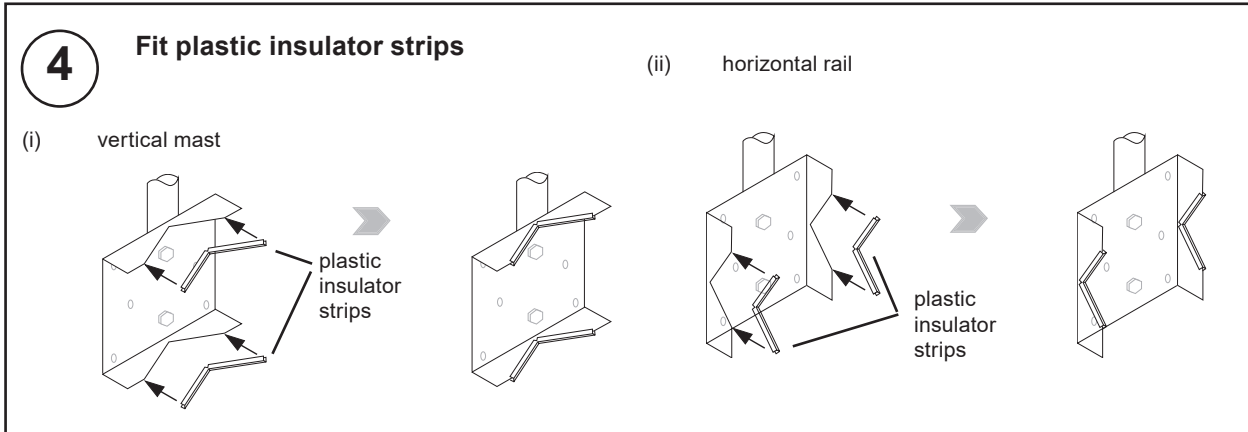
Elbows supplied configured for vertical mast

if required to use on horizontal rail

(i) remove bracket

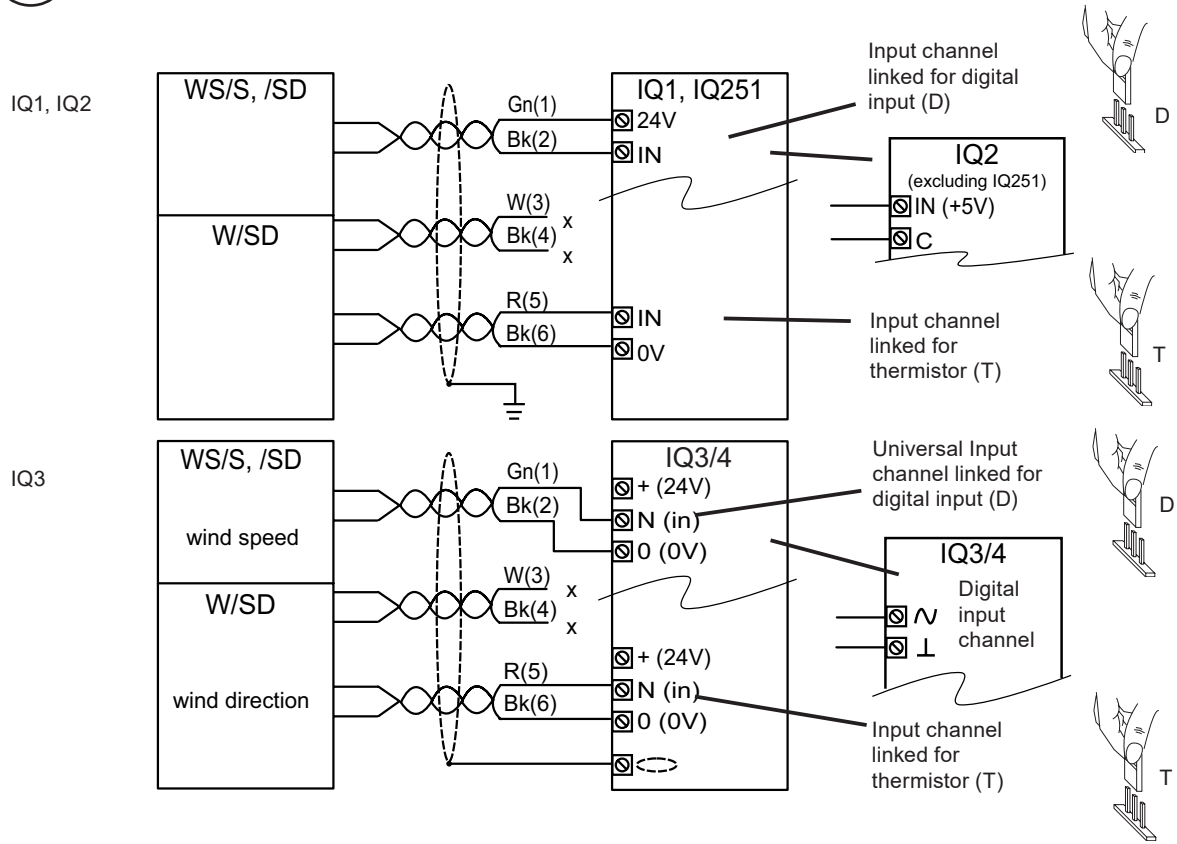
(ii) fix bracket for horizontal rail

2 INSTALLATION (continued)

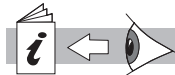


2 INSTALLATION (continued)

8 Connect to IQ

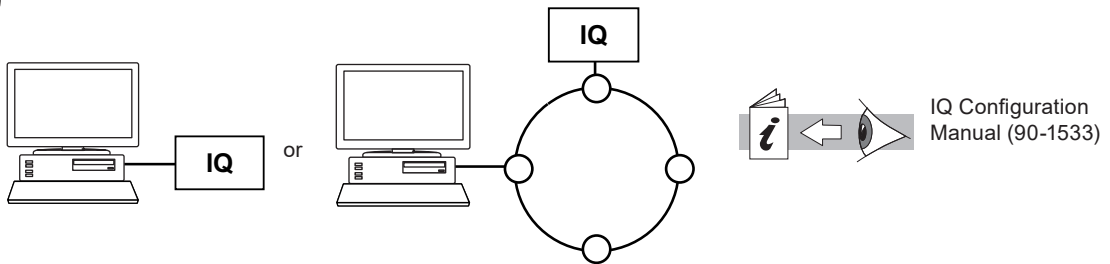


Cable is 3 m (9' 10") long. If required to extend:



WS/S, /SD Data Sheet (TA102481)

9 Configure IQ



10 Set up IQ wind direction strategy

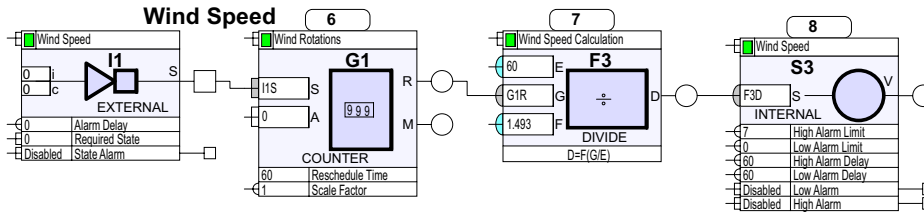
Use SET standard strategy block:
 For IQ1 and IQ2 (prior to V2-1):
 WS Wind Direction pre IQ2
 2.1, P01 Wind Direction pre IQ2 v2.1
 For IQ3/4 or IQ2 (v2.1 or greater):
 WS Wind Speed and
 Direction Sensor, P02 Wind Direction
 For details see WS/S, /SD Data Sheet (TA102481).

2 INSTALLATION (continued)

11

Set up IQ wind speed strategy

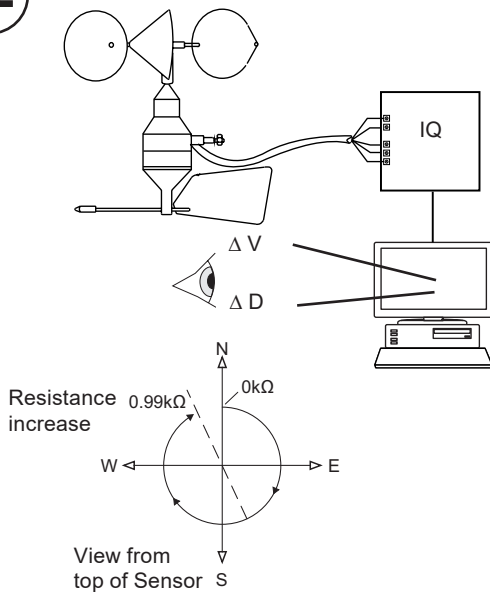
Use SET standard strategy block:
WS Wind Speed and Direction Sensor, P01 Wind Speed



For details see WS/S, /SD Data Sheet (TA102481).

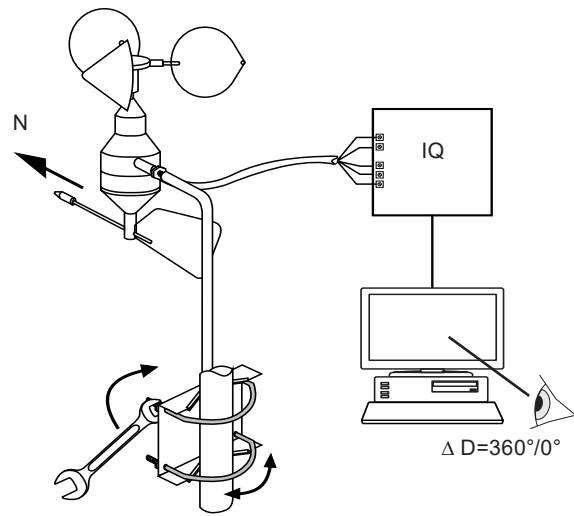
12

Test system



13

Check Sensor Alignment (if greater accuracy required)



3 DISPOSAL



WEEE Directive:

At the end of their useful life the packaging and product should be disposed of by a suitable recycling centre.
Do not dispose of with normal household waste.
Do not burn.

Please send any comments about this or any other Trend technical publication to techpubs@trendcontrols.com



EAC

TR CU Certification

© 2018 Honeywell Technologies Sàrl, E&ES Division. All rights reserved. Manufactured for and on behalf of the Environmental & Energy Solutions Division of Honeywell Technologies Sàrl, Z.A. La Pièce, 16, 1180 Rolle, Switzerland by its Authorized Representative, Trend Control Systems Limited.

Trend Control Systems Limited reserves the right to revise this publication from time to time and make changes to the content hereof without obligation to notify any person of such revisions or changes.

Trend Control Systems Limited

St. Mark's Court, North Street, Horsham, West Sussex, RH12 1BW, UK. Tel: +44 (0)1403 211888, www.trendcontrols.com