

Thermistor Room Temperature Sensors

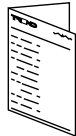
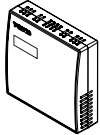
Important: Retain these instructions

These instructions shall be used by trained service personnel only. If the equipment is used in a manner not specified by these instructions, the protection provided by the equipment may be impaired.

<https://partners.trendcontrols.com>

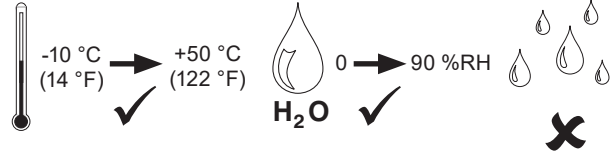


1 BOX CONTENTS

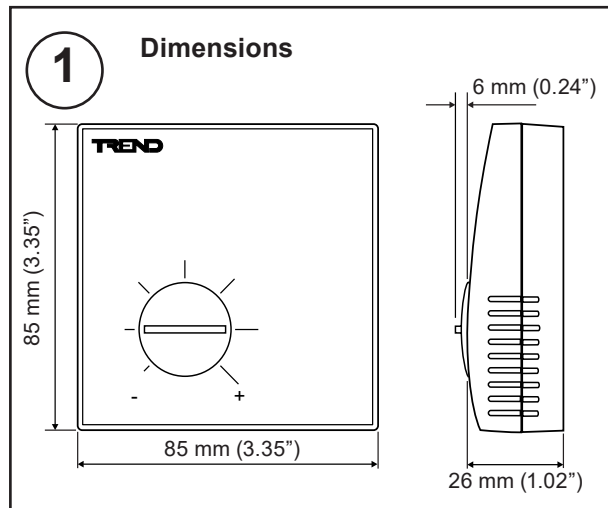


TB/TS, TB/TS/K Installation Instructions (TG200607)

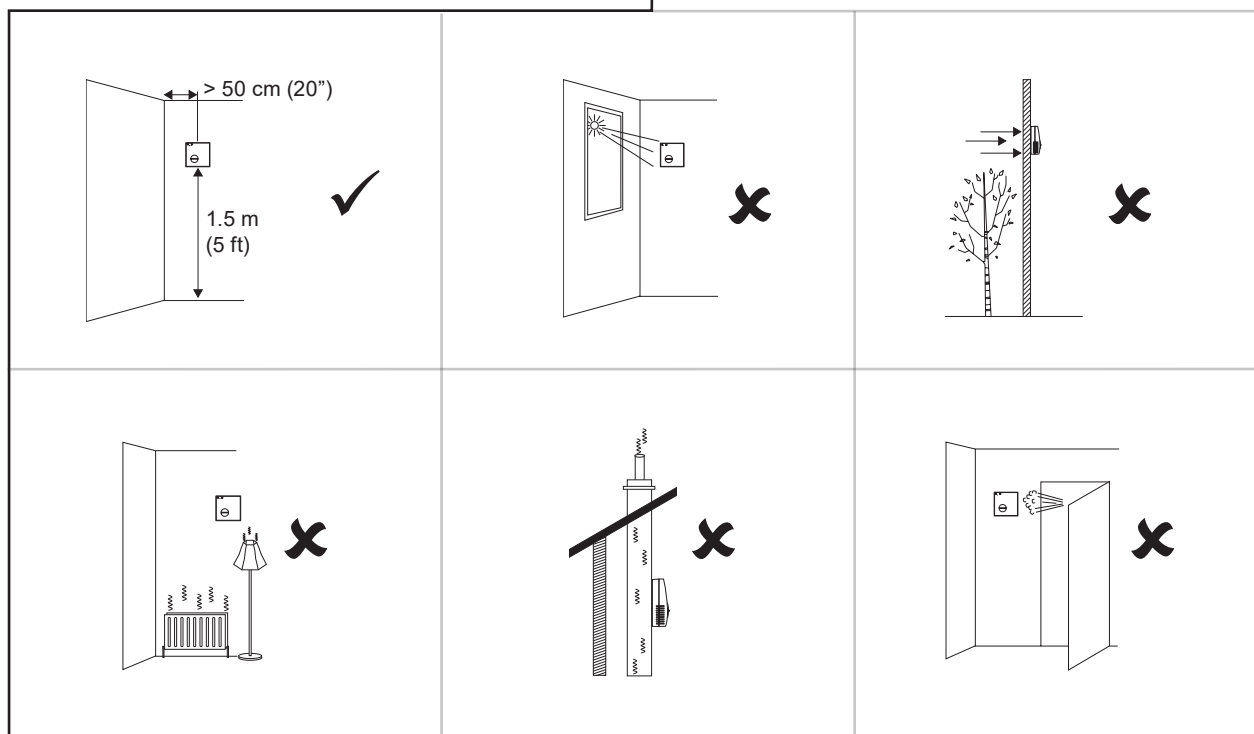
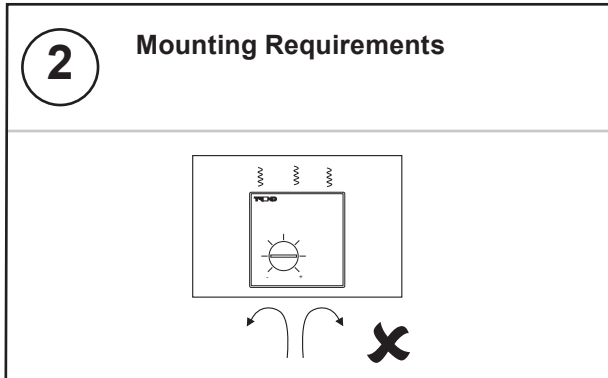
2 STORING



3 INSTALLATION



It is recommended that the installation should comply with the local electrical safety installation practices (e.g. HSE Memorandum of Guidance on Electricity at Work Regulations 1989, USA National Electric Code).



3 INSTALLATION (continued)

2 Requirements (continued)

-10 °C (14 °F) → +50 °C (122 °F) ✓
 0 °C (32 °F) → +40 °C measurement (104 °F)

0 %RH → 90 %RH ✓
 H₂O

3 Remove backplate

4 Mount backplate

BESA box

35 mm (1.38")

35 mm (1.38")

or wall

35 mm (1.38")

35 mm (1.38")

wall box

60 mm (2.36")

FR
ABS

5 Remove Cutout(s) (as required)

6 Route cables

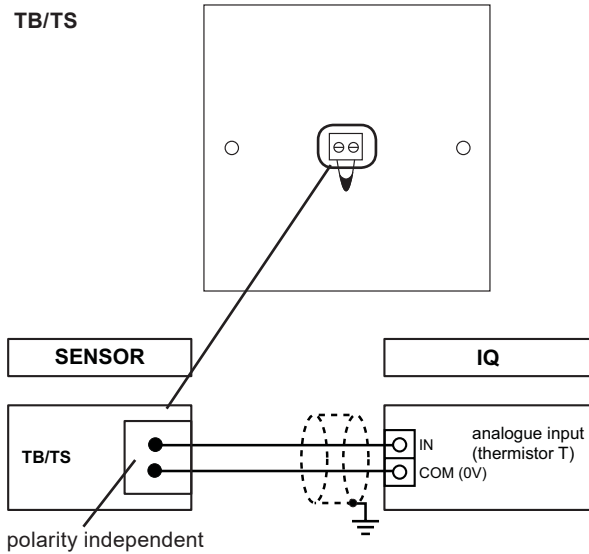
3 INSTALLATION (continued)

7 Wire to Controller

Terminal size 0.5 to 2.5 mm² (20 to 14 AWG)

IQecos with fixed strategies and IQLs must be connected as described in the relevant strategy data sheet or installation instructions.

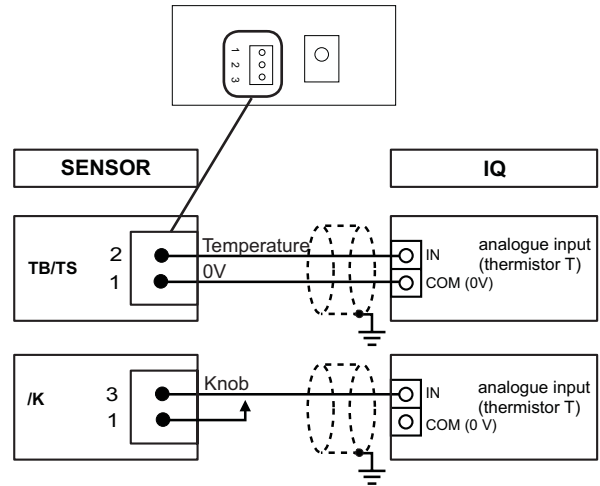
TB/TS



Option	Connect Terminals
TB/TS	1*, 2*
TB/TS/K	1, 2, 3

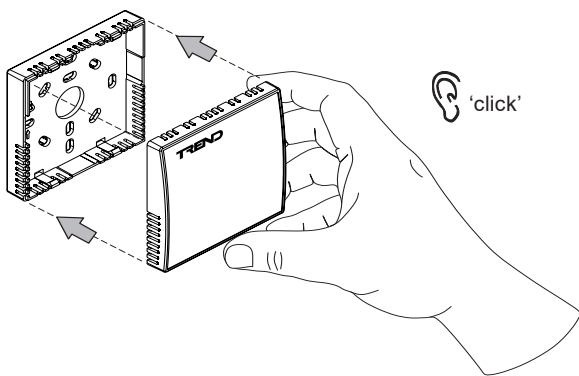
* Note: The terminals are not numbered on TB/TS; they are polarity independent. The equivalent numbering of TB/TS/K is shown.

TB/TS/K



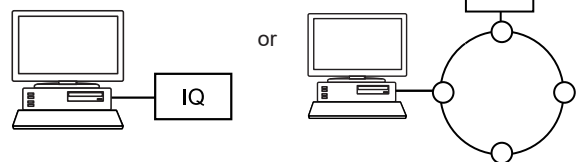
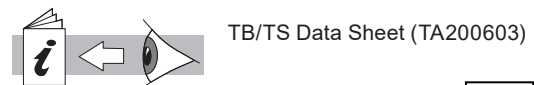
Note: Screened cable is not required for sensor wiring to IQLs. If screened cable is used, the screen must be terminated at the controller to its supply cable earth.

8 Assemble unit



9 Set up strategies

For IQecos with fixed strategies and IQLs ignore steps (9) and (10) and proceed to step (11).

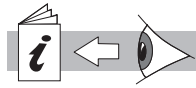


For TB/TS, /K options, configure the controller strategy using the pre-configured strategy in SET's Strategy Library (TB TS KOSF), and only use the options required. If this is not used write your own strategy, see data sheet for suggested strategy.

3 INSTALLATION (continued)

10 Configure Controller

Use IQSET to configure the Sensor Type and External Sensor strategy modules as require actual sensor (Thermistor) and Knob separately as required.



- IQSET Manual (TE200147)
- IQ4 Configuration Manual (TE201263)
- IQ3 Configuration Manual (TE200768)
- IQ Configuration Manual (90-1533)
- IQeco Configuration Manual (TE201089)

Setting the Sensor Type

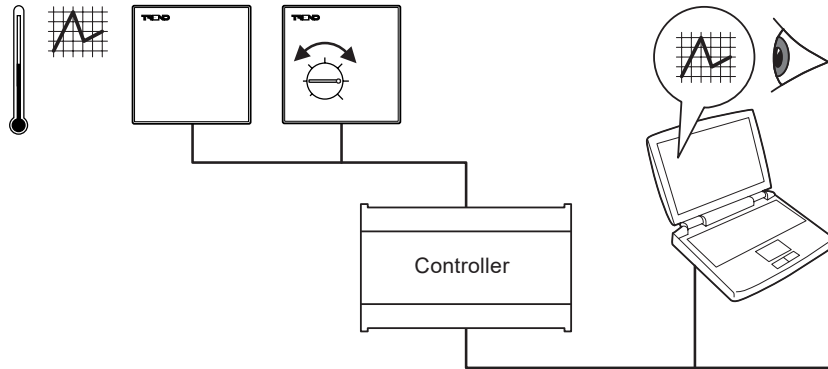
For the following controller types:

- IQ4 Series
- IQ3 Series
- IQ2 Series
- IQeco

Configure the Sensor Type by selecting one of the following Unique Sensor References.

Knob		Thermistor	
Knob TB 3 deg trim	(Guaranteed ±3 trim)	Thermistor TBTS	(Value in °C)
Knob T 3 deg trim	(±3 ±20% linear trim)	Thermistor TBTS F	(Value in °F)
Knob (Knob TB 05 deg trim)		(10k Therm DegC TBTS)	(Value in °C)
Type 102 - Potentiometer	(-0.5 to + 0.5 deg trim)	Type 101 - Thermistor °C	
		(10k Therm DegC TBTS)	
		Type 108 - Thermistor °F	(Value in °F)

11 Test System



4 DISPOSAL

WEEE Directive:



At the end of their useful life the packaging and product should be disposed of by a suitable recycling centre.
Do not dispose of with normal household waste.
Do not burn.

Please send any comments about this or any other Trend technical publication to techpubs@trendcontrols.com



© 2018 Honeywell Technologies Sàrl, E&ES Division. All rights reserved. Manufactured for and on behalf of the Environmental & Energy Solutions Division of Honeywell Technologies Sàrl, Z.A. La Pièce, 16, 1180 Rolle, Switzerland by its Authorized Representative, Trend Control Systems Limited.

Trend Control Systems Limited reserves the right to revise this publication from time to time and make changes to the content hereof without obligation to notify any person of such revisions or changes.

Trend Control Systems Limited

St. Marks Court, North Street, Horsham, West Sussex, RH12 1BW, UK. Tel:+44 (0)1403 211888, www.trendcontrols.com