

Important: Retain these instructions

These instructions shall be used by trained service personnel only. If the equipment is used in a manner not specified by these instructions, the protection provided by the equipment may be impaired.

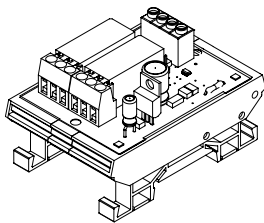
<https://partners.trendcontrols.com>



CONTENTS

1	Box Contents.....	1	3	Installation.....	1
2	Storing.....	1	4	Disposal.....	4

1 BOX CONTENTS



2SRM/24VAC
Installation
Instructions
(TG103210)

2 STORING



-10 °C → +70 °C
(14 °F) → (158 °F)



0 %RH → 95 %RH



3 INSTALLATION



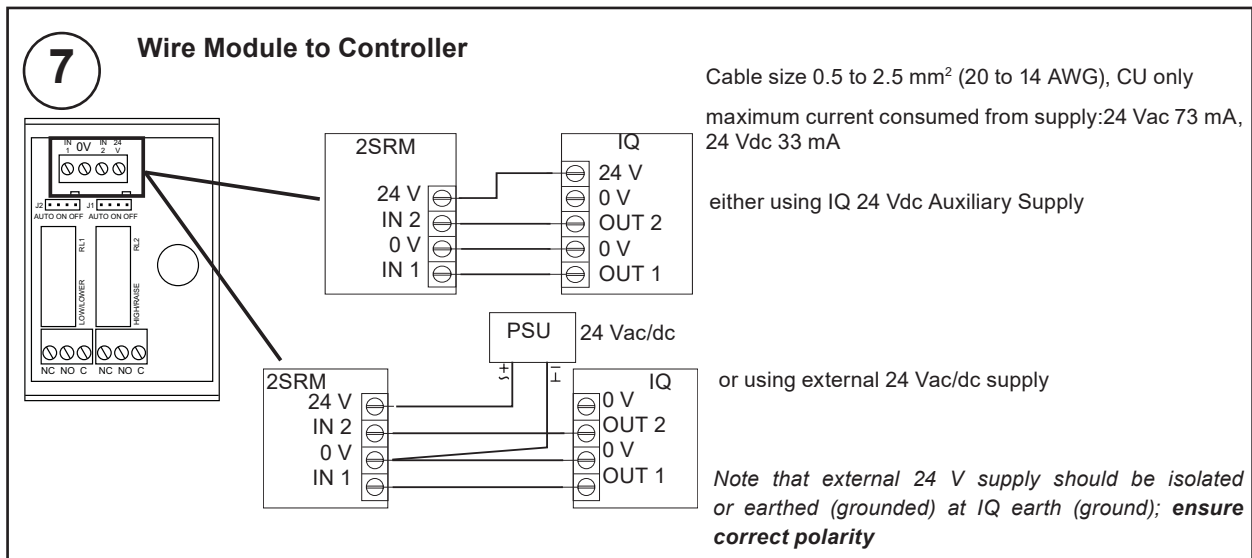
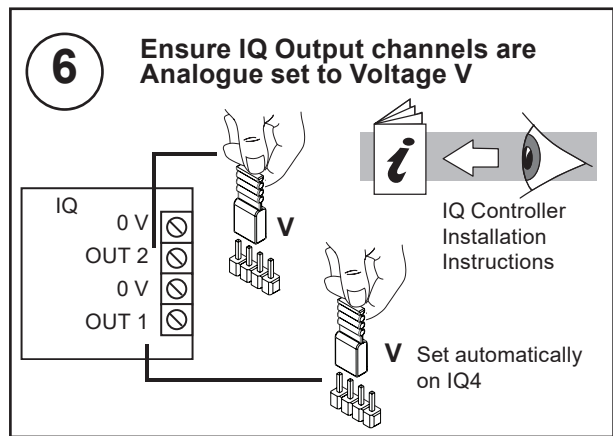
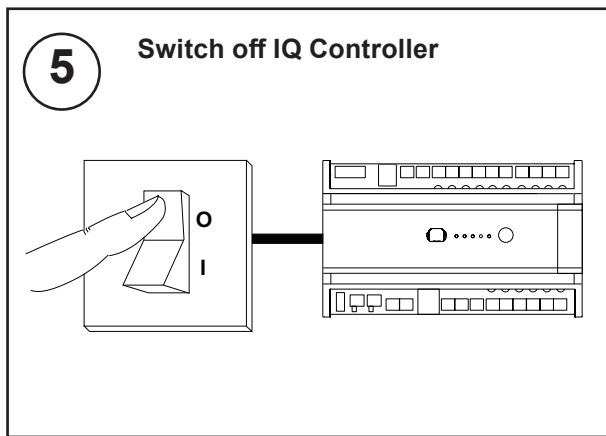
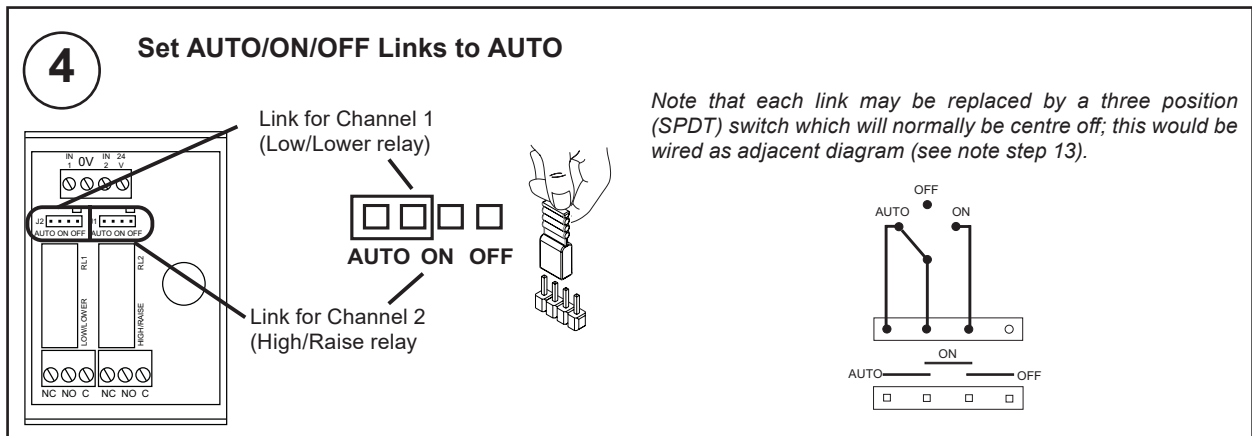
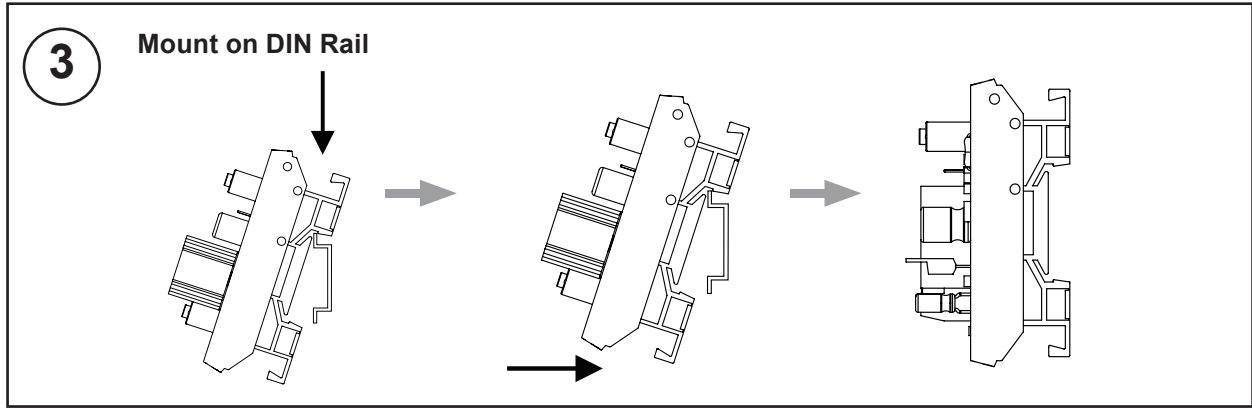
It is recommended that the installation should comply with the local electrical safety installation practices (e.g. HSE Memorandum of Guidance on Electricity at Work Regulations 1989, USA National Electric Code).

1 Dimensions

2 Requirements

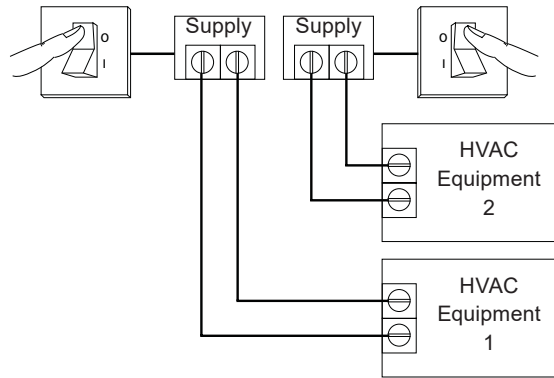
! The module must be installed in an enclosure conforming to EN61010-1.

3 INSTALLATION (continued)

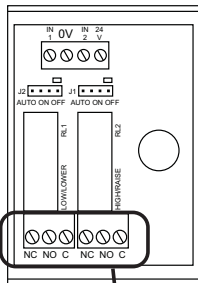


3 INSTALLATION (continued)

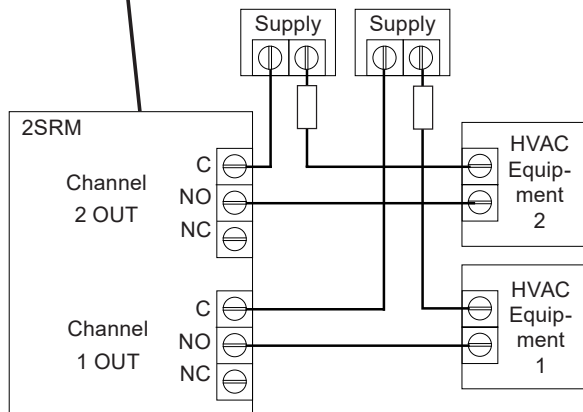
8 Ensure HVAC Equipment Power Supplies are Switched Off



9 Connect Module to HVAC Equipment



Ensure that external circuits are suitably protected against fault currents that would exceed the ratings for the switching circuits provided in this product.



To meet safety requirements, for the 2 relays (OUT1 and OUT2), those being used must all be switching either low voltage or mains and not a mixture of voltages. If switching mains, they must all switch the same phase and polarity.

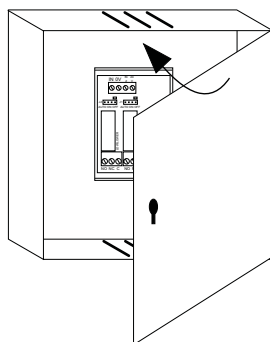
Contact ratings:
 5 A @ 240 Vac ($\cos\phi \geq 0.4$)
 Single phase only.
 5 A @ 30 Vdc (resistive)
 2 A @ 24 Vdc (inductive $T \leq 30\text{ms}$).

Cable size 0.5 to 2.5 mm² (20 to 14 AWG), CU only

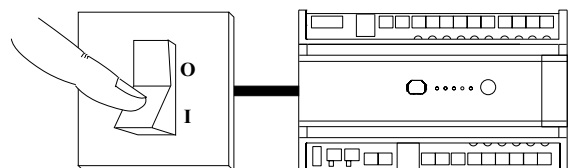
WARNING: The wires may be connected to hazardous voltages. Disconnect power before attempting any wiring.

Arc suppression recommended
 Relay Output Arc Suppression Installation Instructions (TG200208)

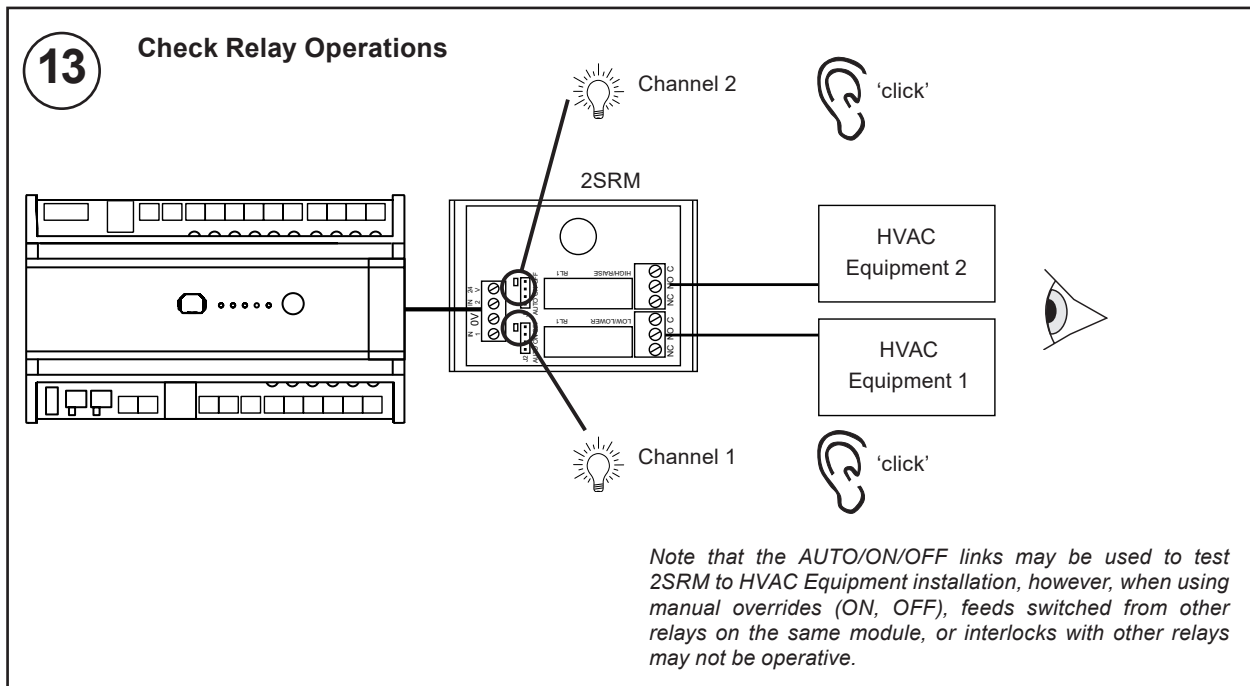
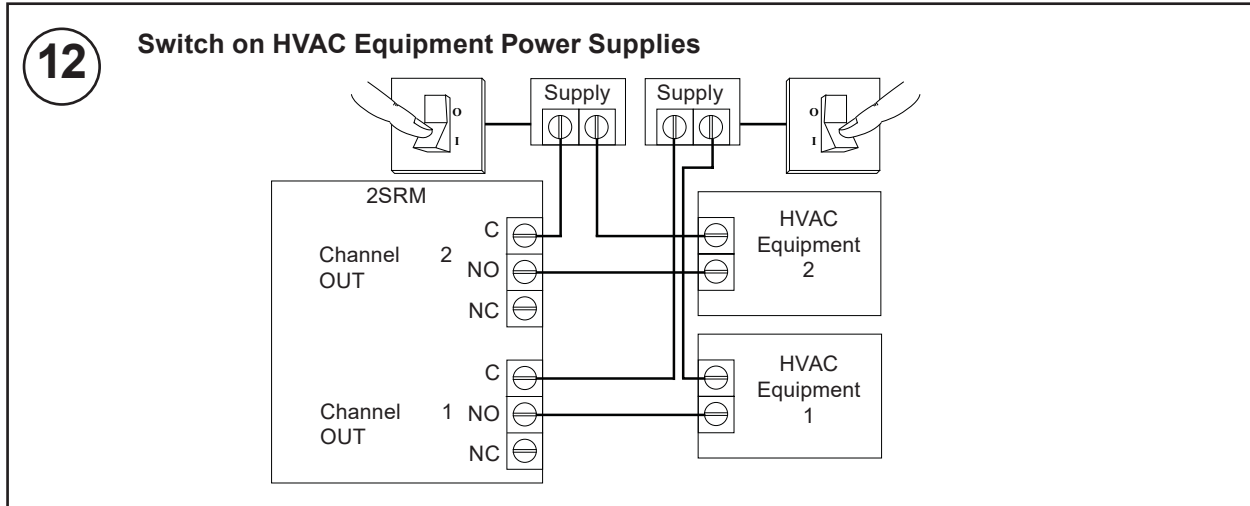
10 Close Panel




11 Switch on IQ Controller



3 INSTALLATION (continued)



4 DISPOSAL

 **WEEE Directive:**
 At the end of their useful life the packaging and product should be disposed of by a suitable recycling centre.
 Do not dispose of with normal household waste.
 Do not burn.

Please send any comments about this or any other Trend technical publication to techpubs@trendcontrols.com



© 2021 Honeywell Technologies Sàrl, E&ES Division. All rights reserved. Manufactured for and on behalf of the Environmental & Energy Solutions Division of Honeywell Technologies Sàrl, Z.A. La Pièce, 16, 1180 Rolle, Switzerland by its Authorized Representative, Trend Control Systems Limited.

Trend Control Systems Limited reserves the right to revise this publication from time to time and make changes to the content hereof without obligation to notify any person of such revisions or changes.

Trend Control Systems Limited

St. Marks Court, North Street, Horsham, West Sussex, RH12 1BW, UK. Tel: +44 (0)1403 211888, www.trendcontrols.com