

# SRMV Single Relay Module (Voltage)

### Important: Retain these instructions

These instructions shall be used by trained service personnel only. If the equipment is used in a manner not specified by these instructions, the protection provided by the equipment may be impaired.

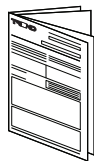
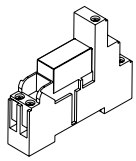
<https://partners.trendcontrols.com>



## CONTENTS

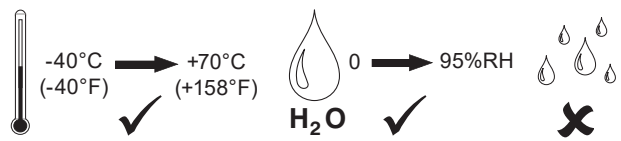
1	Unpacking .....	1	3	Installation .....	1
2	Storing .....	1	4	Disposal .....	11

## 1 BOX CONTENTS

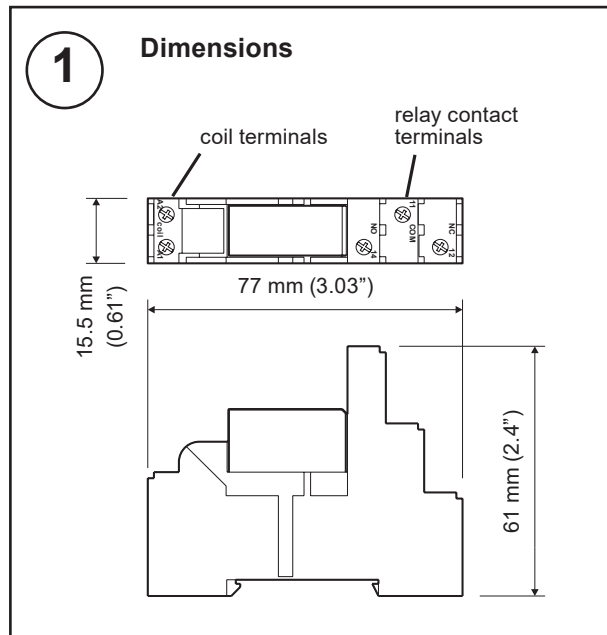


SRMV Installation Instruction  
(91-2853)

## 2 STORING

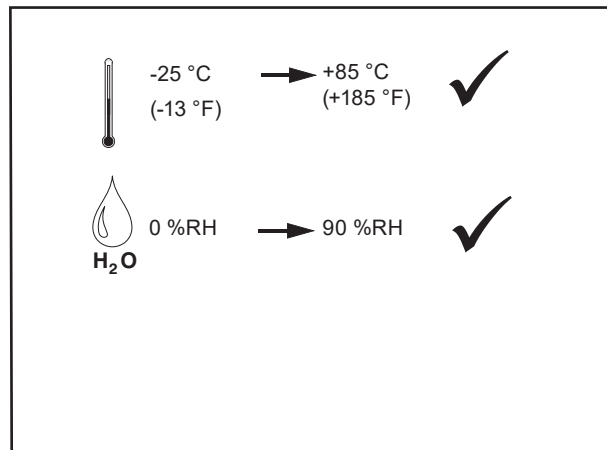
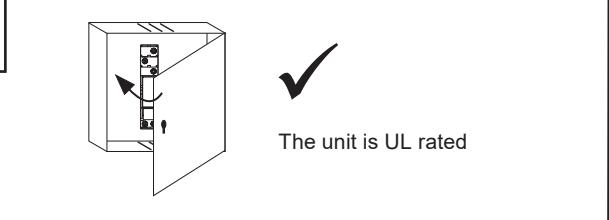
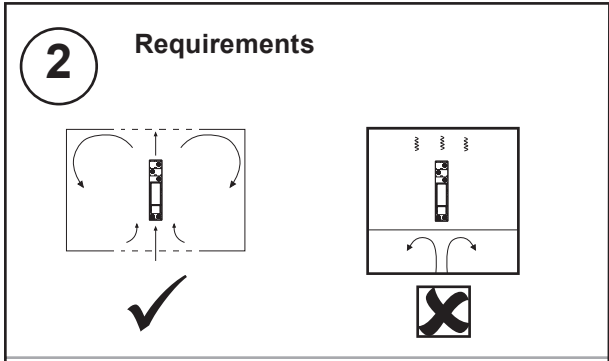


## 3 INSTALLATION

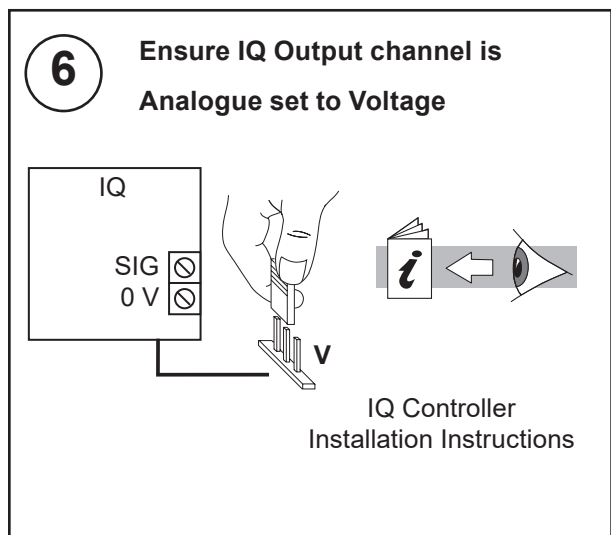
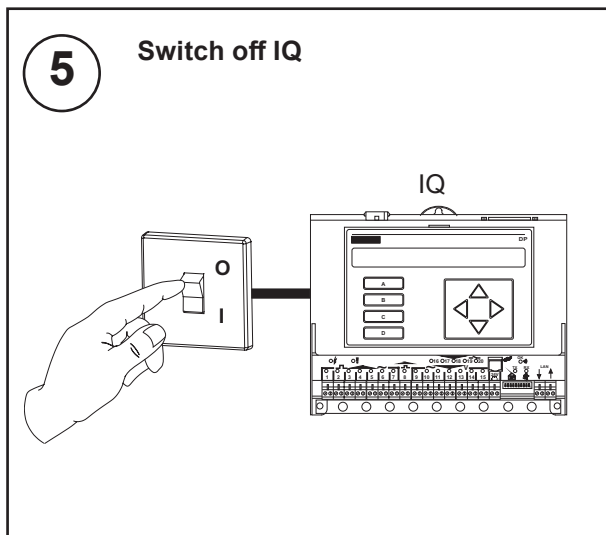
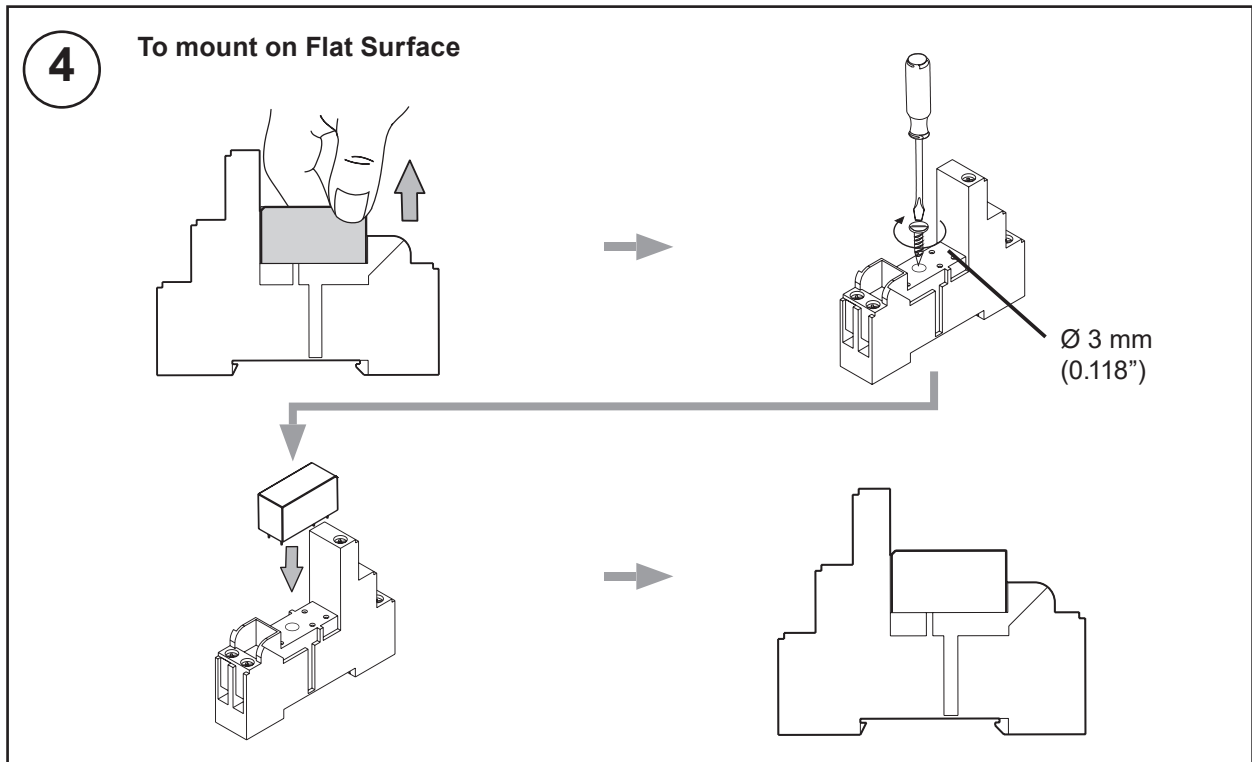
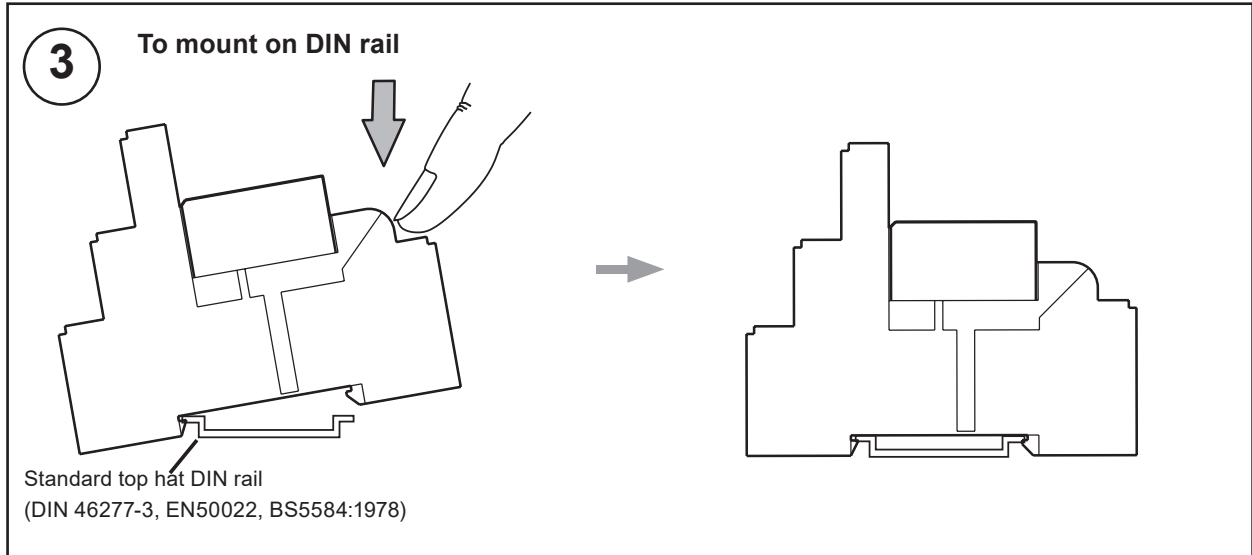


It is recommended that the installation should comply with the HSE Memorandum of Guidance on Electricity at Work Regulations 1989.

For USA install equipment in accordance with National Electric Code.

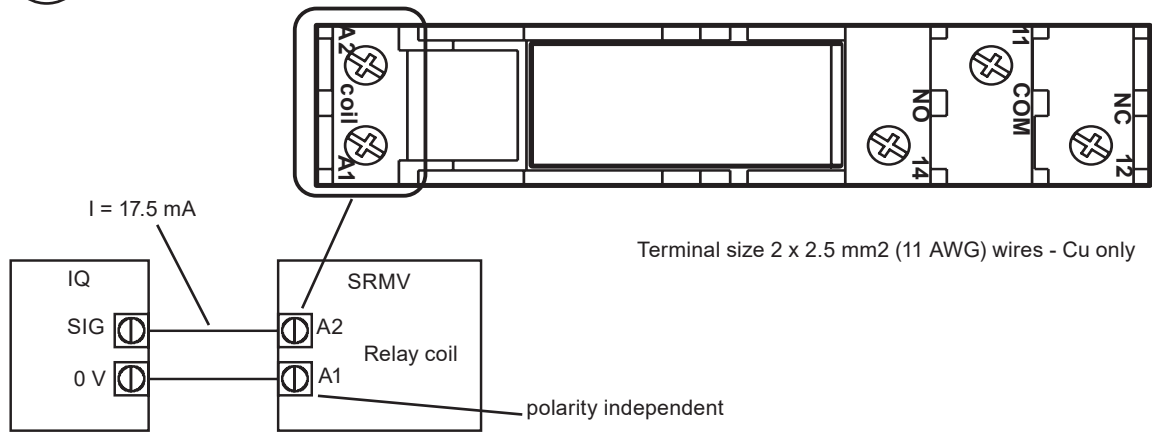


3 INSTALLATION (continued)

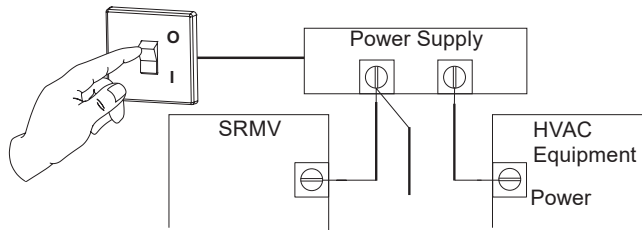


3 INSTALLATION (continued)

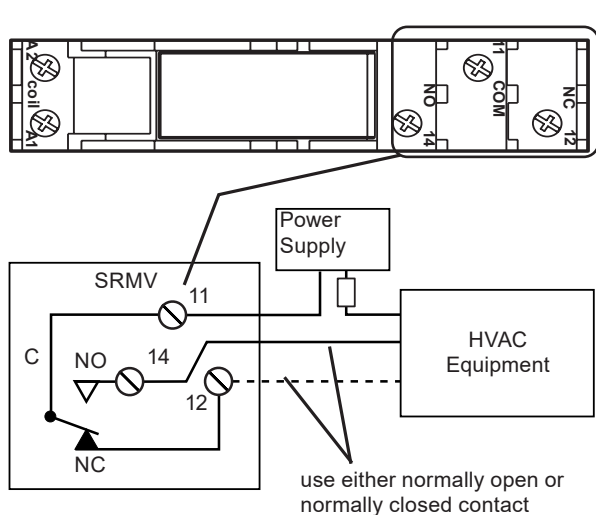
7 Wire Module to Controller



8 Ensure HVAC Equipment Power Supply is Switched off



9 Connect Relay to HVAC Equipment



Ensure that external circuits are suitably protected against fault currents that would exceed the ratings for the switching circuits provided in this product.

Terminal size 2 x 2.5 mm<sup>2</sup> (11 AWG) wires - Cu only

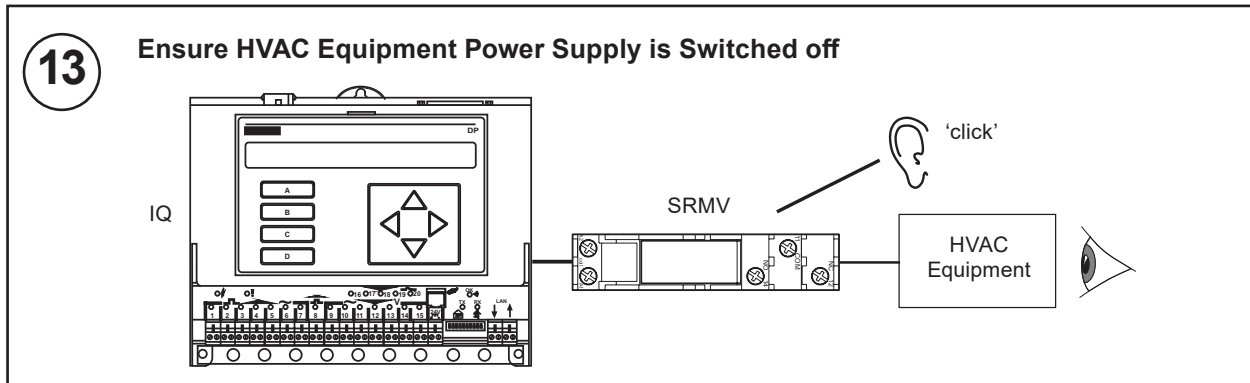
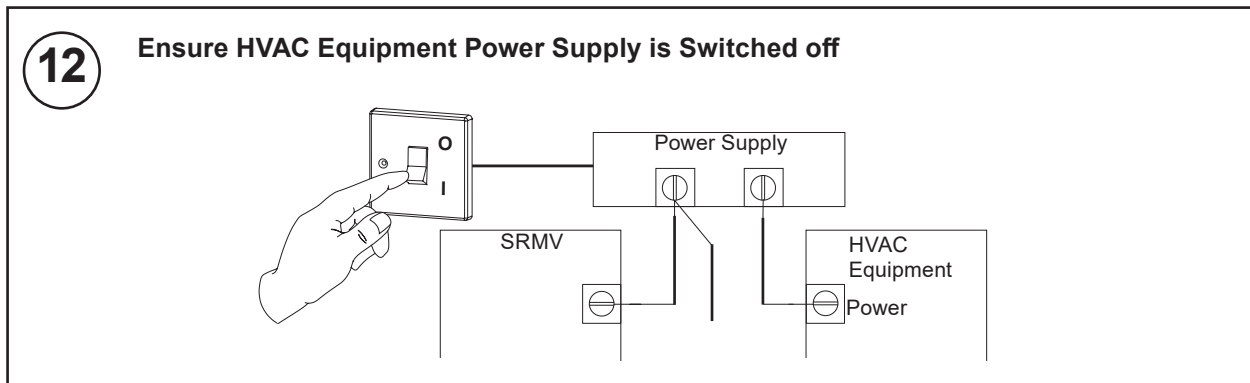
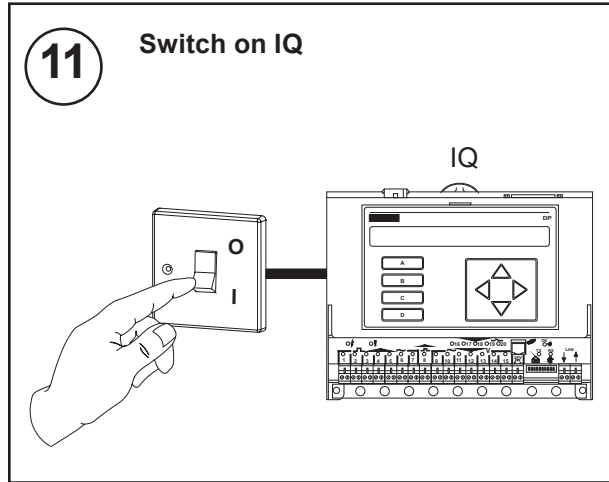
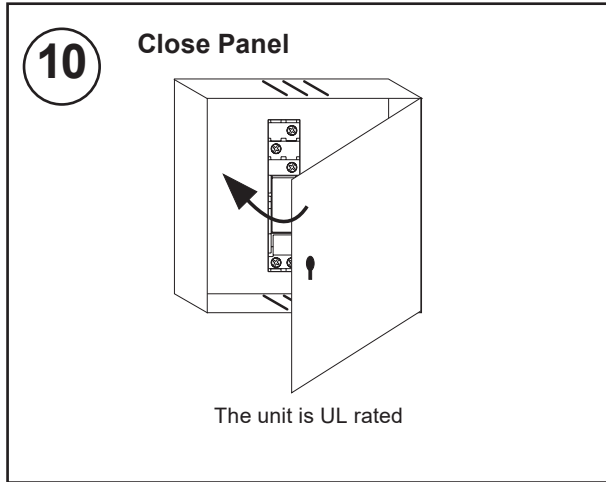
250 Vac @ 8A (resistive), 5A (inductive,  $\cos \phi \geq 0.4$ )  
 20 Vdc @ 8A (resistive)  
 24 Vdc @ 2A (inductive,  $T \leq 30 \text{ ms}$ )

**WARNING:** The wires may be connected to hazardous voltages. Disconnect power before attempting any wiring.

**Arc suppression recommended**

Relay Output Arc Suppression Installation Instructions TG200208

3 INSTALLATION (continued)



4 DISPOSAL

**WEEE Directive:**  
 At the end of their useful life the packaging and product should be disposed of by a suitable recycling centre.

Do not dispose of with normal household waste.  
 Do not burn.

Please send any comments about this or any other Trend technical publication to [techpubs@trendcontrols.com](mailto:techpubs@trendcontrols.com)



© 2021 Honeywell Products and Solutions SARL, Connected Building Division. All rights reserved. Manufactured for and on behalf of the Connected Building Division of Honeywell Products and Solutions SARL, Z.A. La Pièce, 16, 1180 Rolle, Switzerland by its Authorized Representative, Trend Control Systems Limited.

Trend Control Systems Limited reserves the right to revise this publication from time to time and make changes to the content hereof without obligation to notify any person of such revisions or changes.

**Trend Control Systems Limited**

St. Mark's Court, North Street, Horsham, West Sussex, RH12 1BW, UK. Tel: +44 (0)1403 211888, [www.trendcontrols.com](http://www.trendcontrols.com)