

Touch Screen Display FPK Adaptor Plate

Important: Retain these instructions

These instructions shall be used by trained service personnel only. If the equipment is used in a manner not specified by these instructions, the protection provided by the equipment may be impaired.

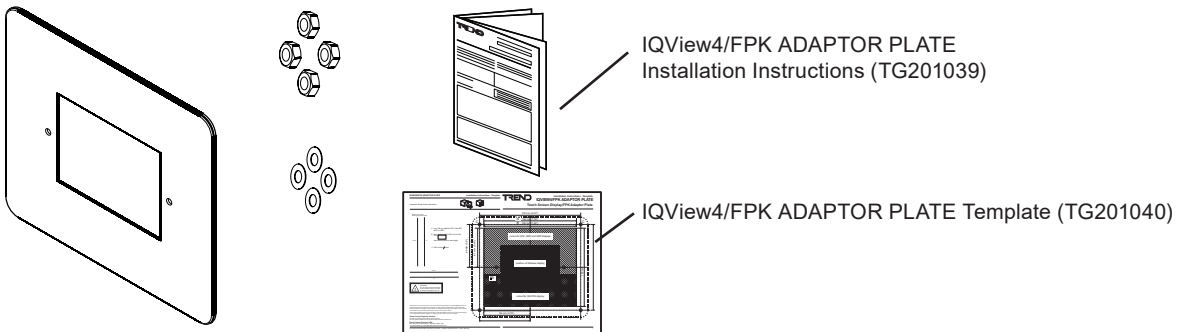
<https://partners.trendcontrols.com>



CONTENTS

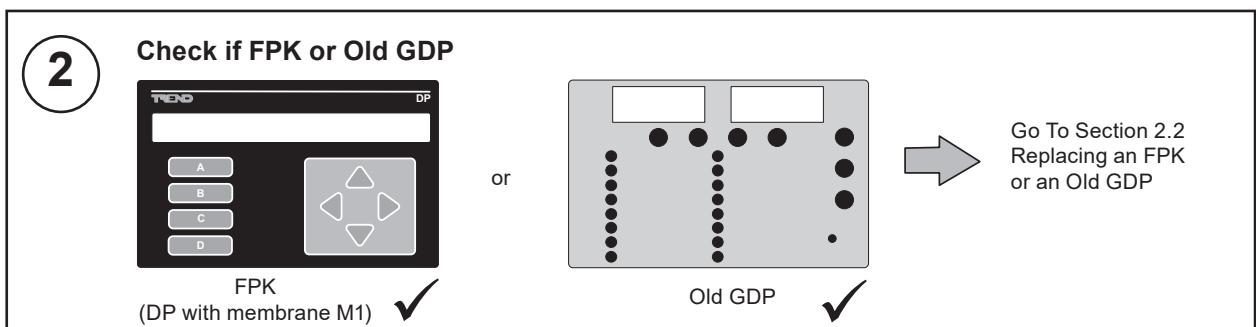
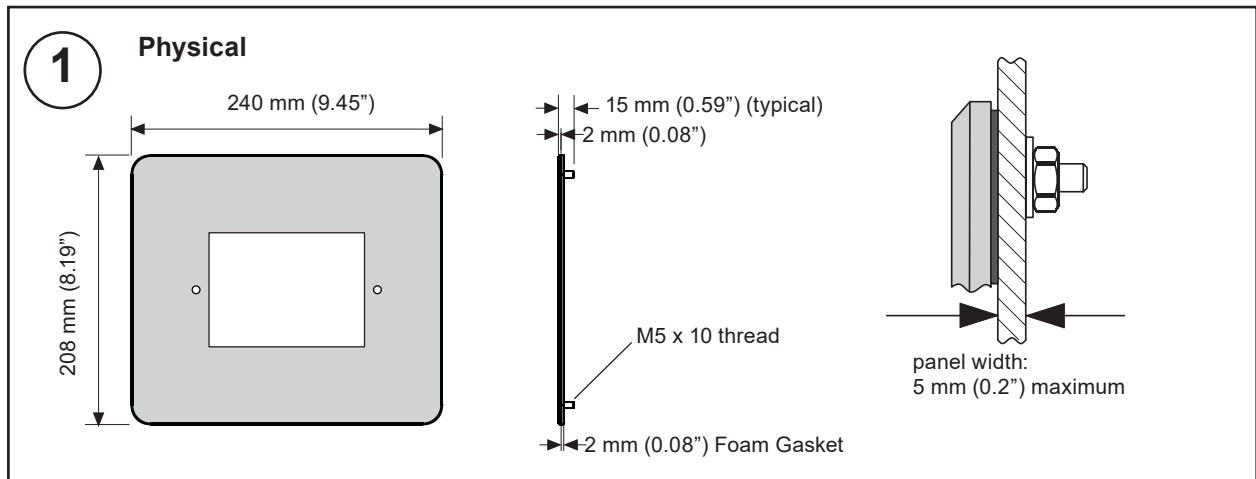
1.	Box Contents.....	1	2.2	Replacing an FPK or an Old GDP Display Panel.....	2
2.	Installation Instructions.....	1	2.3	Replacing an Old FPK Display Panel.....	3
2.1	Starting Installation.....	1	2.4.	Replacing an NDP or an GDP+ Display Panel.....	5
			2.5.	Completing Installation (all panels).....	7
			3.	Disposal.....	8

1 BOX CONTENTS



2 INSTALLATION

2.1 Starting Installation



2.1 STARTING INSTALLATION (continued)

2 Check if FPK or Old GDP (continued)

Old FPK
(Old DP with membrane M1) ✓

NDP ✓

or

GDP+ ✓

Go To Section 2.3
Replacing an Old FPK

Go To Section 2.4
Replacing an NDP
or GDP+

2.2 REPLACING AN FPK OR AN OLD GDP DISPLAY PANEL

1 Switch Off

2 Disconnect Panel

3 Remove FPK or Old GDP Display Panel

undo 4 screws

panel

See Section 3
Disposal

2.2 REPLACING AN FPK OR AN OLD GDP DISPLAY PANEL (continued)

4 Prepare Panel

IQView4/FPK Adaptor Plate Template, (TG201040)

rear view

drill 4 holes
Ø 6 mm (0.24").

192 mm (7.56")

162 mm (6.38")

210 mm (8.27")

9 mm (0.35")

178 mm (7.01")

8 mm (0.31")

5 Complete Installation

Go To Section 2.5 Completing Installation (all panels)

2.3 Replacing an Old FPK Display Panel

1 Switch Off

2 Disconnect Panel

2.3 REPLACING AN OLD FPK DISPLAY PANEL (continued)

3 Remove Old FPK Display Panel

undo 8 nuts

panel

See Section 3 Disposal

4 Prepare Panel

IQView4/FPK Adaptor Plate Template, (TG201040)

190 mm (7.48")

162 mm (6.38")

62 mm (2.44")

rear view

drill 4 holes
Ø 6 mm (0.24").

210 mm (8.27")

9 mm (0.35")

178 mm (7.01")

8 mm (0.31")

2.3 REPLACING AN OLD FPK DISPLAY PANEL (continued)

5

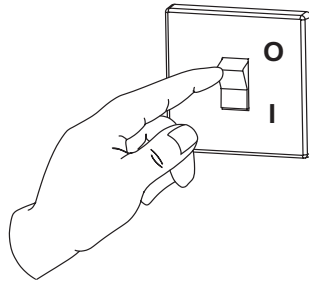
Complete Installation

Go To Section 2.5
Completing Installation (all panels)

2.4 REPLACING AN NDP OR GDP+ DISPLAY PANEL

1

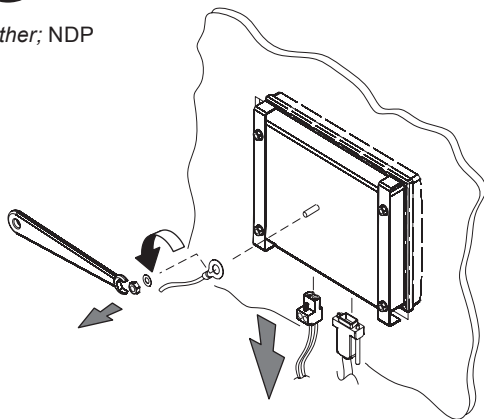
Switch Off



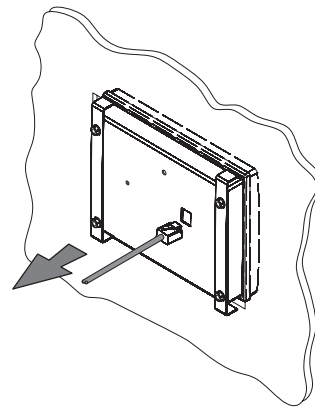
2

Disconnect Panel

Either; NDP

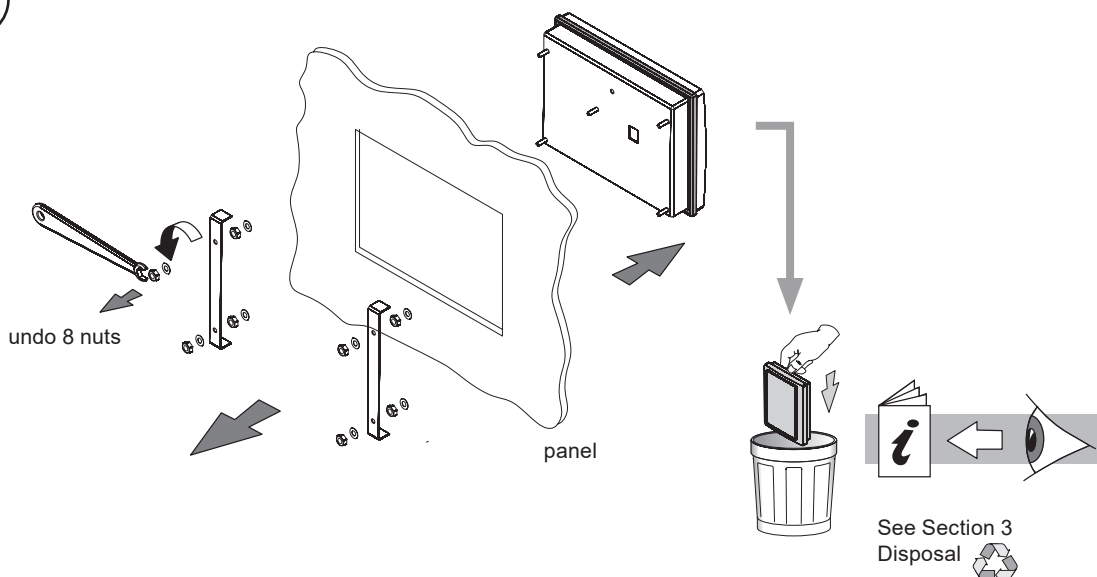


Or; GDP+



3

Remove FPK or GDP+ Display Panel



2.4 REPLACING AN NDP OR GDP+ DISPLAY PANEL (continued)

4 Prepare Panel

IQView4/FPK Adaptor Plate Template, (TG201040)

rear view

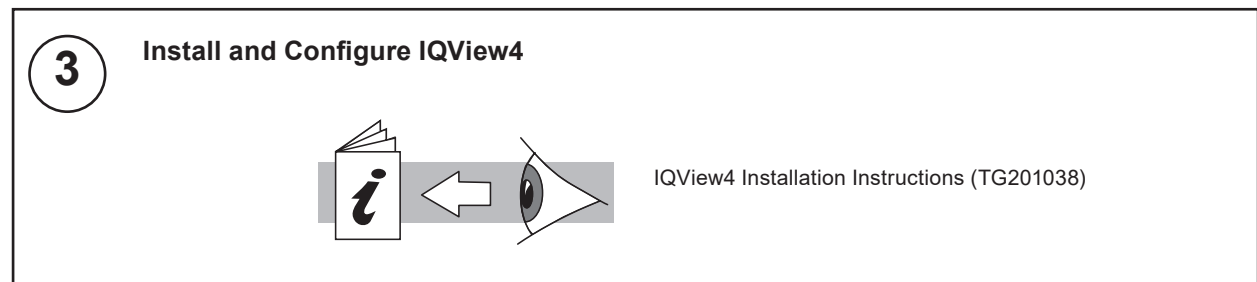
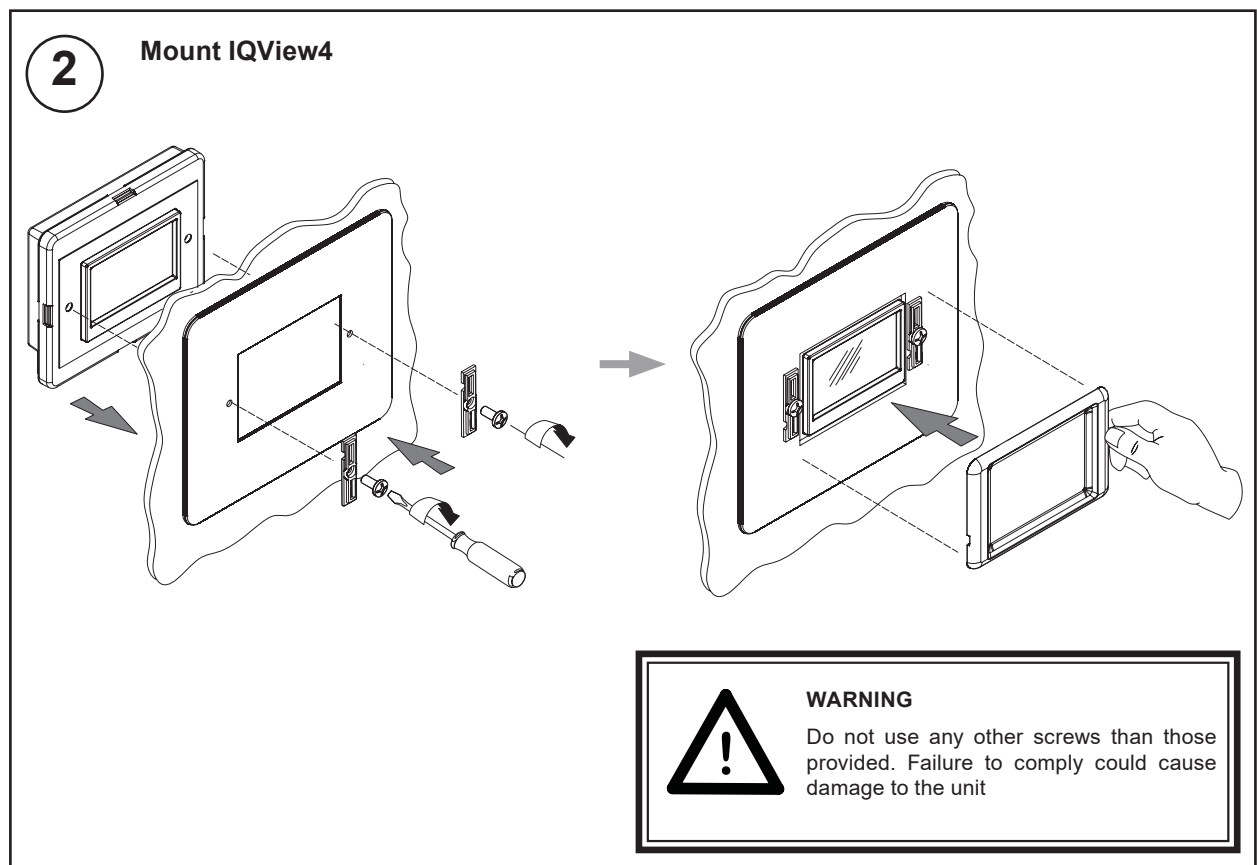
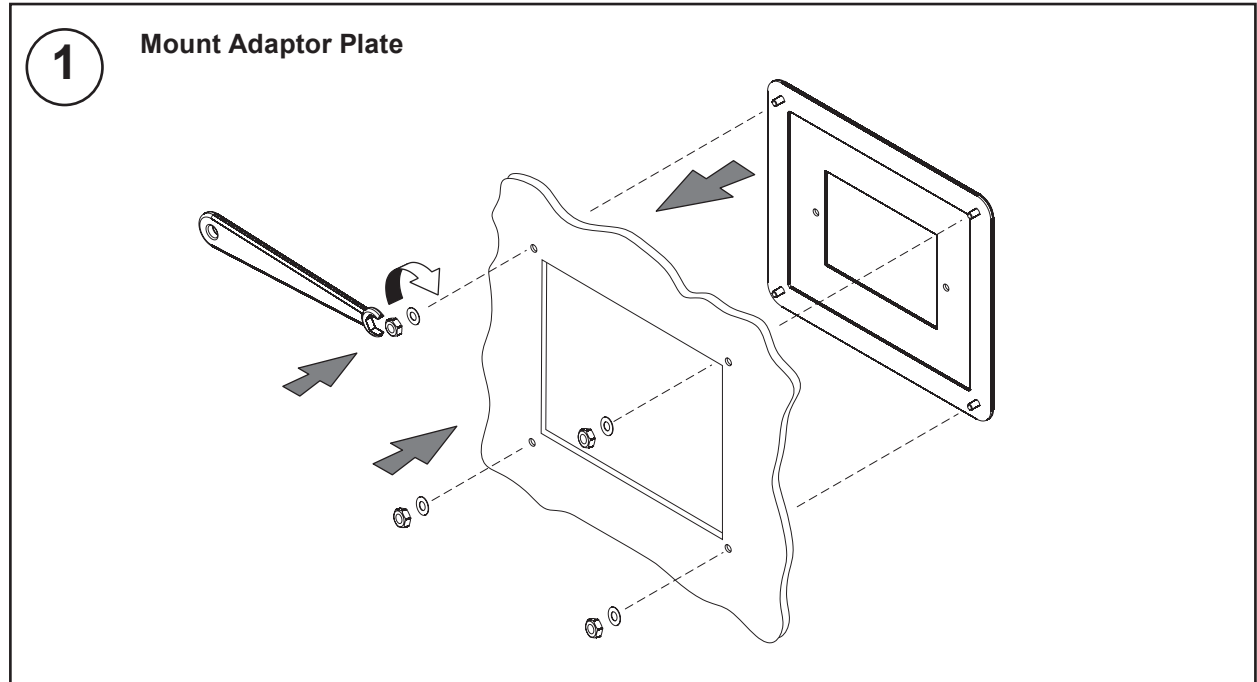
drill 4 holes
Ø 6 mm (0.24").

Dimension	Value (mm)	Value (inches)
Overall Width	192	7.56"
Inner Width	186	7.32"
Panel Thickness	6	0.24"
Overall Height	162	6.38"
Inner Height	138	5.43"
Bottom Flange Thickness	24	0.95"
Drill Hole Spacing (Width)	210	8.27"
Drill Hole Spacing (Height)	178	7.01"
Drill Hole Diameter	6	0.24"
Drill Hole Offset (Width)	9	0.35"
Drill Hole Offset (Height)	8	0.31"

5 Complete Installation

Go To Section 2.5
Completing Installation (all panels)

2.5 COMPLETING INSTALLATION (continued)



3 DISPOSAL

WEEE Directive:

At the end of their useful life the packaging and product should be disposed of by a suitable recycling centre.

Do not dispose of with normal household waste. Do not burn.

Please send any comments about this or any other Trend technical publication to techpubs@trendcontrols.com



TR CU Certification

© 2018 Honeywell Technologies Sàrl, E&ES Division. All rights reserved. Manufactured for and on behalf of the Environmental & Energy Solutions Division of Honeywell Technologies Sàrl, Z.A. La Pièce, 16, 1180 Rolle, Switzerland by its Authorized Representative, Trend Control Systems Limited.

Trend Control Systems Limited reserves the right to revise this publication from time to time and make changes to the content hereof without obligation to notify any person of such revisions or changes.

Trend Control Systems Limited

St. Marks Court, North Street, Horsham, West Sussex, RH12 1BW, UK. Tel: +44 (0)1403 211888, www.trendcontrols.com