

Important: Retain these instructions

These instructions shall be used by trained service personnel only. If the equipment is used in a manner not specified by these instructions, the protection provided by the equipment may be impaired.

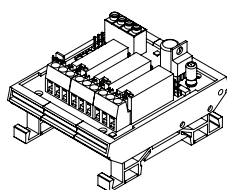
<https://partners.trendcontrols.com>



CONTENTS

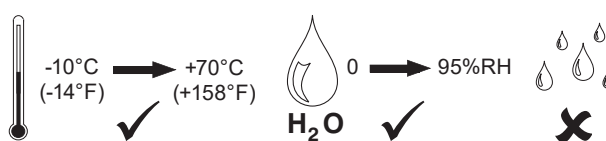
1	Unpacking	1	3.1	Installation - Mounting.....	1
2	Storing	1	4	Disposal.....	4
3	Installation	1			

1 BOX CONTENTS



3RM/24VAC
Installation Instruction
(TG200647)

2 STORING



3 INSTALLATION

3.1 Installation - Mounting

It is recommended that the installation should comply with the local electrical safety installation practices (e.g. HSE Memorandum of Guidance on Electricity at Work Regulations 1989, USA National Electric Code).

1

Dimensions

68 mm (2.68")

13 mm (0.51")
48 mm (1.89")
77 mm (3.03")
83 mm (3.23")

2

Requirements

The module must be installed in an enclosure conforming to EN61010-1.

✗

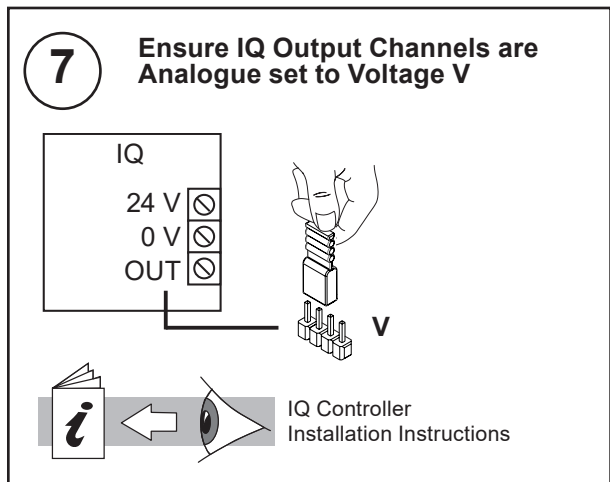
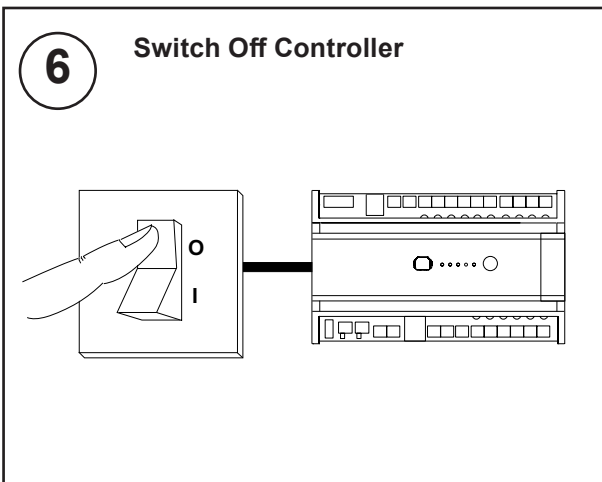
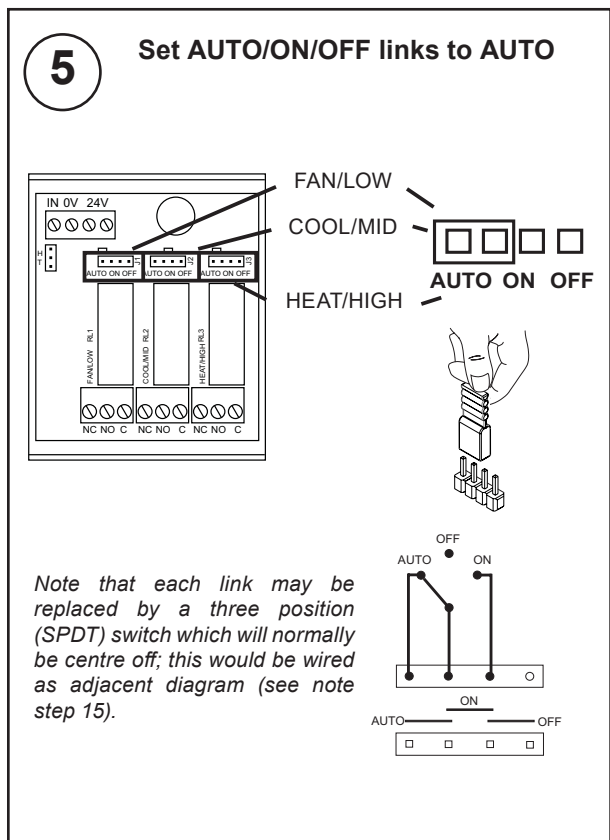
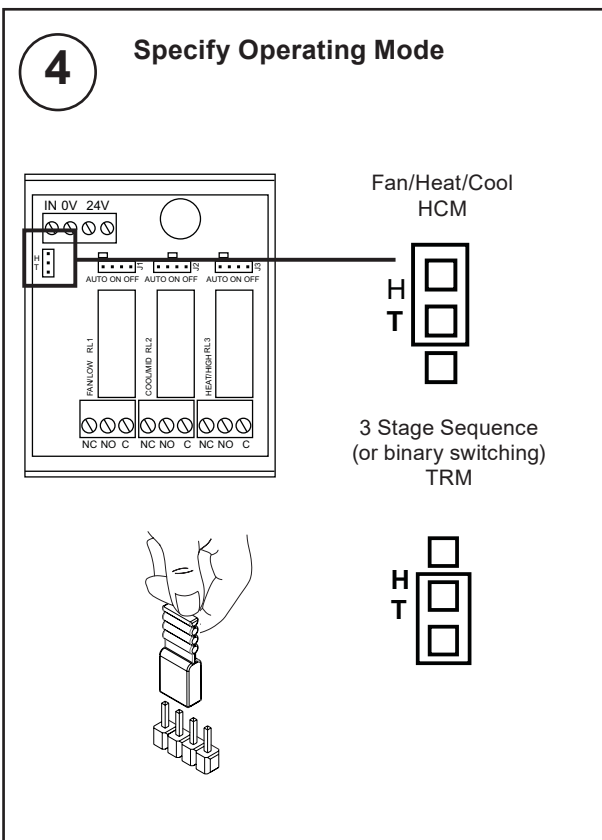
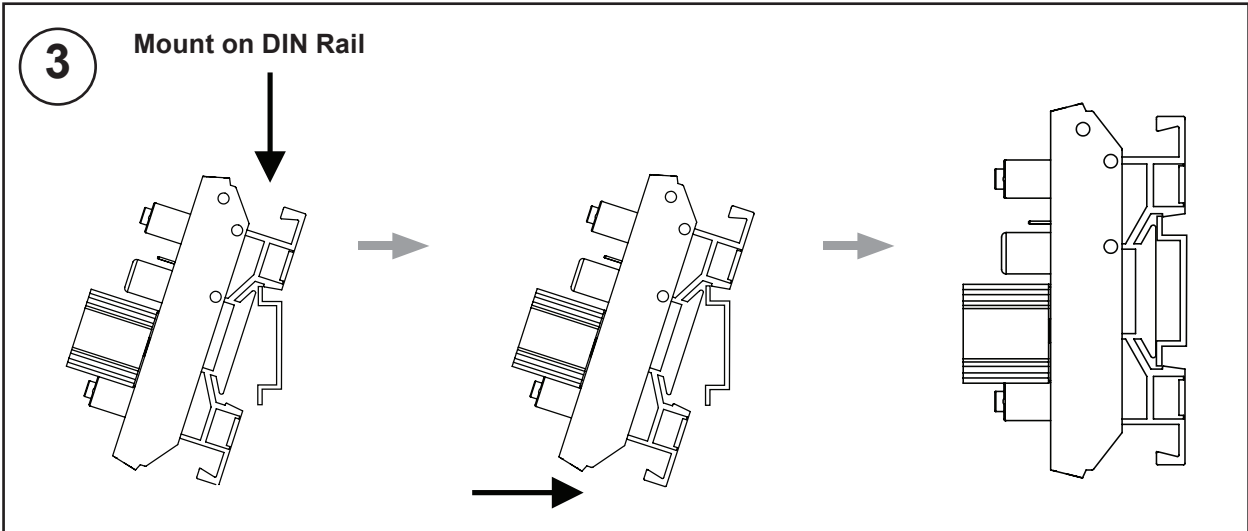
✓

✗

✗

-10 °C (14 °F) → +50 °C (122 °F) ✓
0 %RH → 90 %RH ✓
H₂O

3.1 Installation - Mounting (continued)

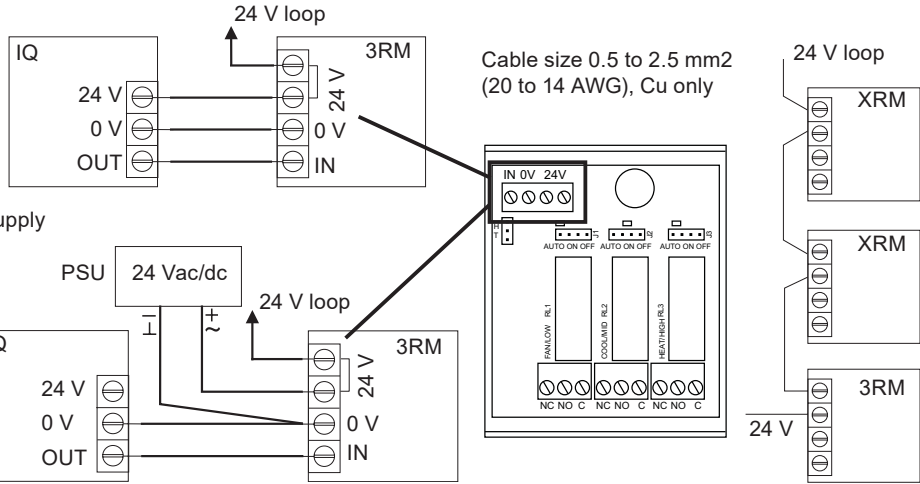


3.1 Installation - Mounting (continued)

8 Wire Module to Controller

maximum current consumed from supply:
24 Vac 100 mA, 24 Vdc 45 mA

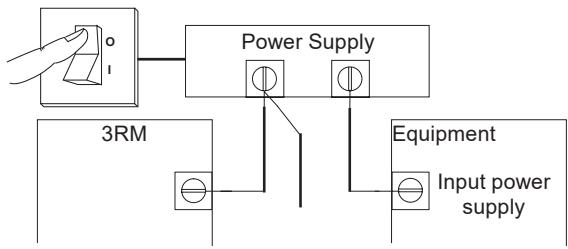
either using IQ 24 Vdc Auxiliary Supply



or using external 24 Vac/dc supply

Note that external 24 V supply should be isolated or earthed (grounded) to IQ earth (ground); ensure correct polarity

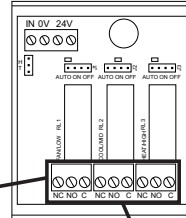
9 Ensure HVAC Equipment Power Supplies are switched off



10 Connect module to HVAC Equipment

To meet safety requirements, for the 3 relays (OUT1, OUT2 and OUT3), those being used must all be switching either low voltage or mains and not a mixture of voltages. If switching mains, they must all switch the same phase and polarity.

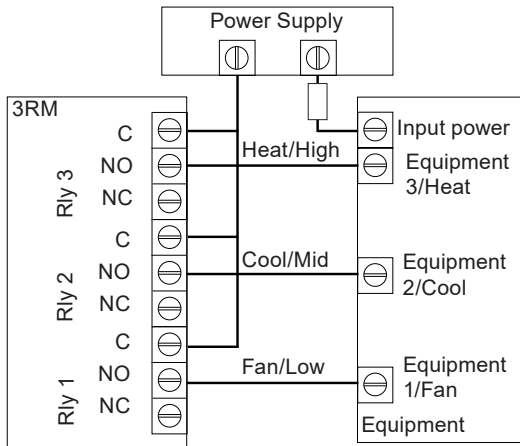
Ensure that external circuits are suitably protected against fault currents that would exceed the ratings for the switching circuits provided in this product.



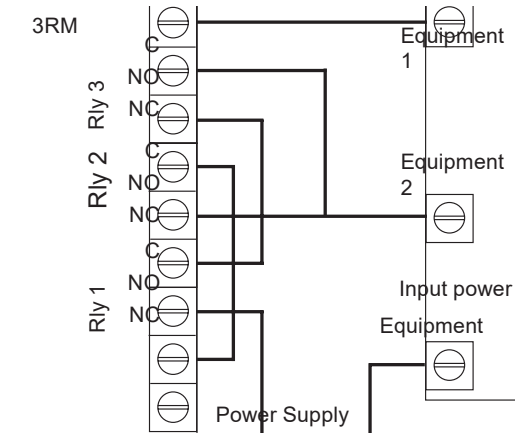
Contact ratings:
5 A @ 240 Vac ($\cos\phi \geq 0.4$)
Single phase only.
5 A @ 30 Vdc (resistive)
2 A @ 24 Vdc (inductive $T \leq 30\text{ms}$)

Cable size 0.5 to 2.5 mm²
(20 to 14 AWG), CU only

if TRM or HCM (see step 4)



if Binary Switching (TRM) (see step 4)



WARNING: The wires may be connected to hazardous voltages. Disconnect power before attempting any wiring.

Arc suppression recommended
Relay Output Arc Suppression Installation Instructions (TG200208)

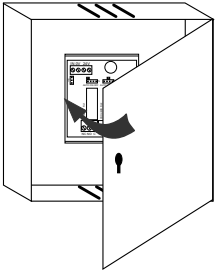
3 INSTALLATION (continued)

11 Configure Controller

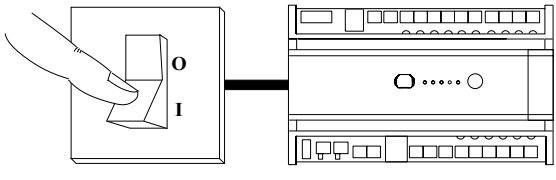
Use SET (software tool) for configuring the controller. SET is supplied with 3RM strategy blocks for IQ1, IQ2, IQ3 and IQ4 controllers.

There are 3 strategy blocks: HCM mode, TRM mode/ analogue driver, HCM mode/RL driver

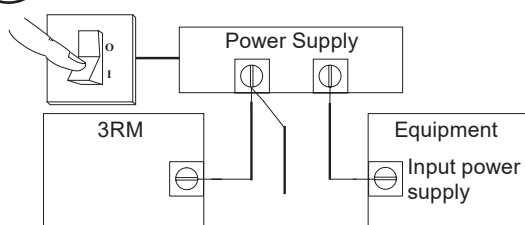
12 Close panel



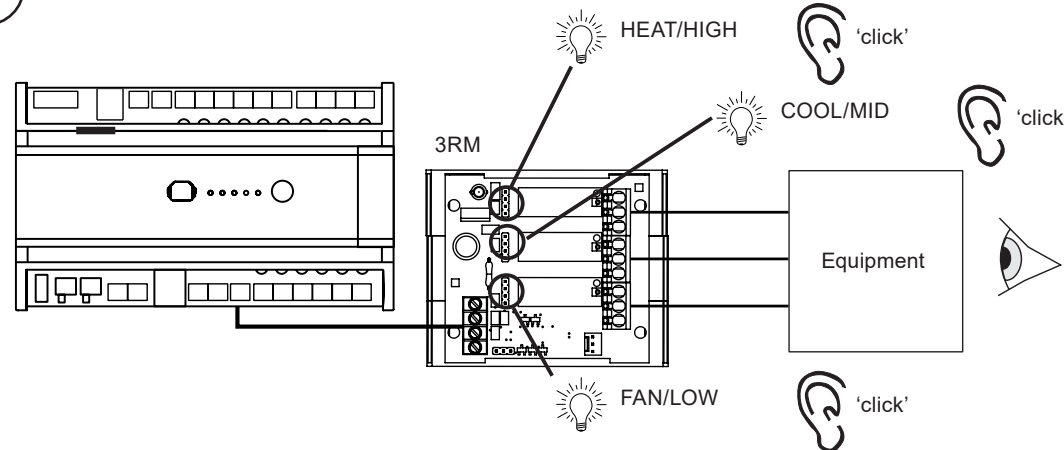
13 Switch On Controller



14 Switch on HVAC Equipment Power Supply




15 Check Relay Operations



Note that the AUTO/ON/OFF links may be used to test 3RM to HVAC Equipment installation, however, when using manual overrides (ON, OFF), feeds switched from other relays on the same module, or interlocks with other relays may not be operative.

4 DISPOSAL

 **WEEE Directive:**
 At the end of their useful life the packaging and product should be disposed of by a suitable recycling centre.
 Do not dispose of with normal household waste.
 Do not burn.

Please send any comments about this or any other Trend technical publication to techpubs@trendcontrols.com



© 2021 Honeywell Technologies Sàrl, E&ES Division. All rights reserved. Manufactured for and on behalf of the Environmental & Energy Solutions Division of Honeywell Technologies Sàrl, Z.A. La Pièce, 16, 1180 Rolle, Switzerland by its Authorized Representative, Trend Control Systems Limited.

Trend Control Systems Limited reserves the right to revise this publication from time to time and make changes to the content hereof without obligation to notify any person of such revisions or changes.

Trend Control Systems Limited

St. Marks Court, North Street, Horsham, West Sussex, RH12 1BW, UK. Tel: +44 (0)1403 211888, www.trendcontrols.com