

Important: Retain these instructions

These instructions shall be used by trained service personnel only. If the equipment is used in a manner not specified by these instructions, the protection provided by the equipment may be impaired.

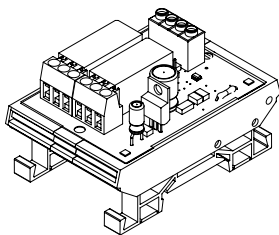
<https://partners.trendcontrols.com>



CONTENTS

1	Unpacking	1	3	Installation	1
2	Storing	1	4	Disposal	4

1 UNPACKING



2RM/24VAC
Installation
Instructions
(TG200640)

2 STORING

Temperature range: -10 °C (14 °F) ✓ → +70 °C (158 °F) ✓

Humidity range: 0 %RH → 95 %RH ✓

Water (H₂O) protection: ✓ (no water) / ✗ (water droplets)

3 INSTALLATION

It is recommended that the installation should comply with the local electrical safety installation practices (e.g. HSE Memorandum of Guidance on Electricity at Work Regulations 1989, USA National Electric Code).

1 Dimensions

Front view dimensions: 57 mm (2.24") width, 83 mm (3.23") height.

Side view dimensions: 48 mm (1.89") depth, 13 mm (0.51") top flange.

2 Requirements

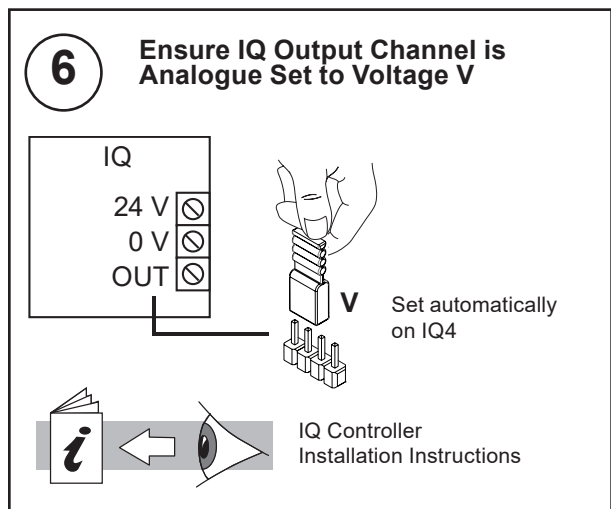
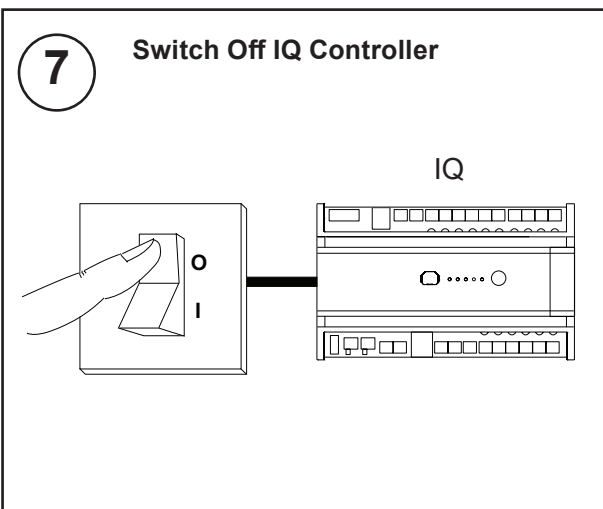
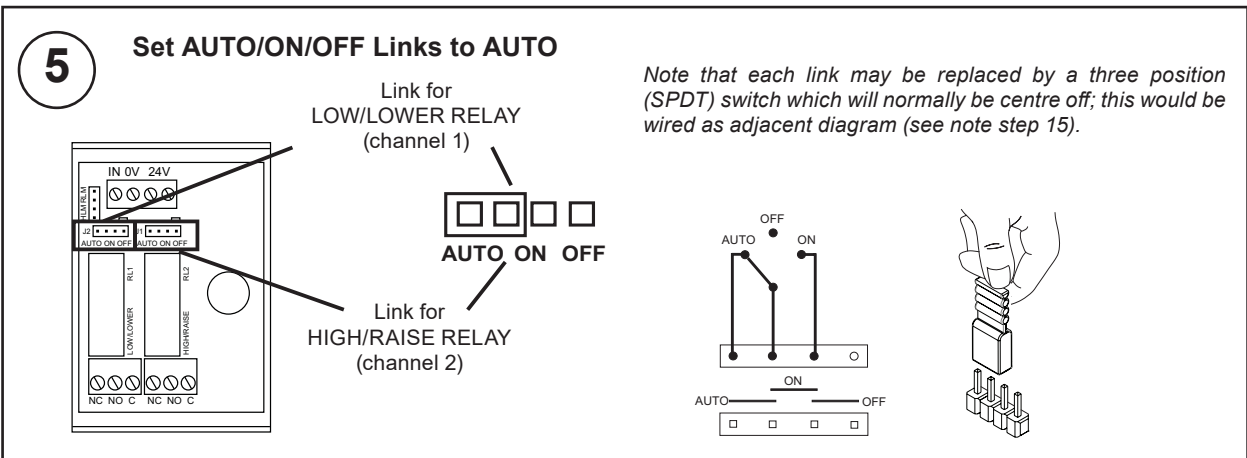
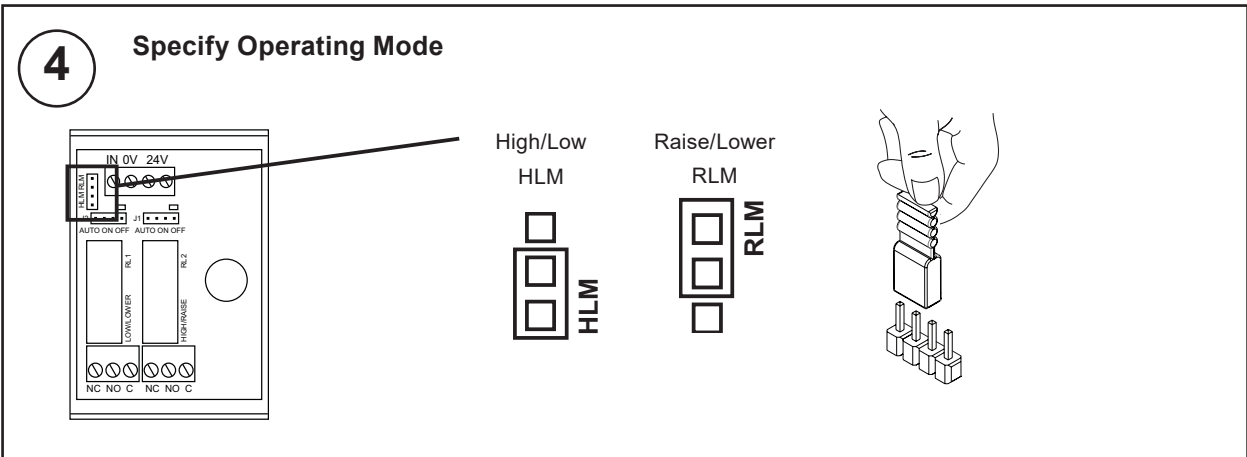
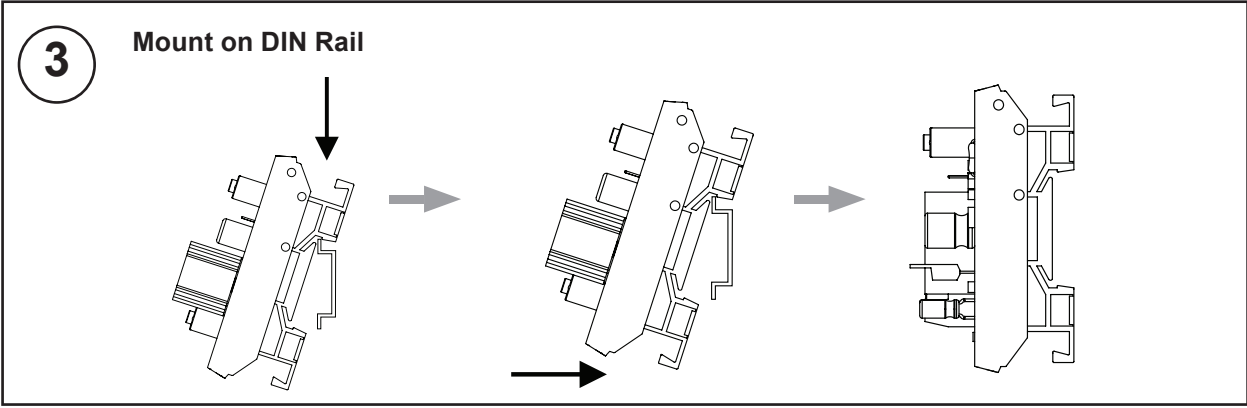
The module must be installed in an enclosure conforming to EN61010-1.

Temperature range: -10 °C (14 °F) ✗ → +50 °C (122 °F) ✓

Humidity range: 0 %RH ✗ → 90 %RH ✓

Water (H₂O) protection: ✗ (water droplets)

3 INSTALLATION (continued)

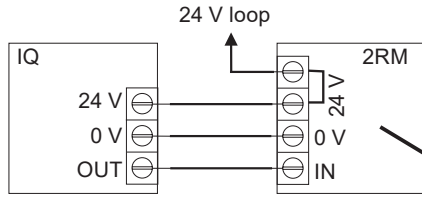


3 INSTALLATION (continued)

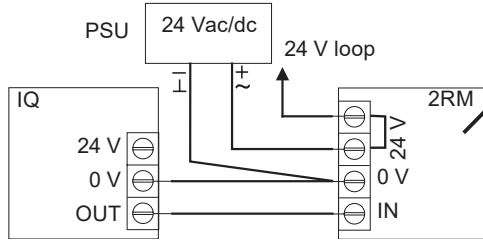
8 Wire Module to Controller

maximum current consumed from supply:
24 Vac 73 mA, 24 Vdc 33 mA

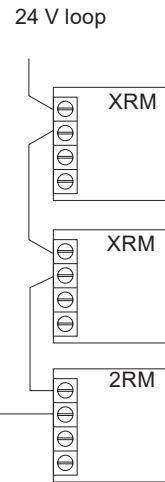
either using IQ 24 Vdc
Auxiliary Supply



or using external
24 Vac/dc supply

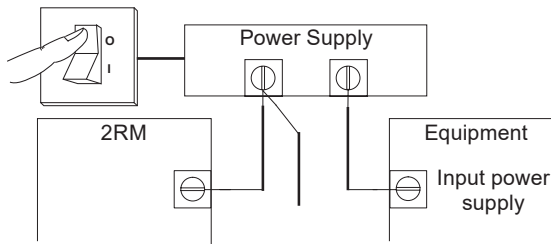


Cable size
0.5 to 2.5 mm²
(20 to 14 AWG) - Cu
only



Note that external 24 V supply should be isolated or earthed (grounded) to IQ earth (ground); ensure correct polarity

9 Ensure Equipment Input Power Supply is Switched Off



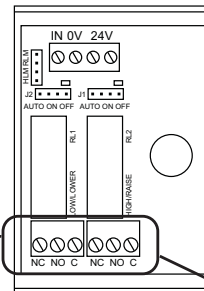
10 Connect Module to HVAC Equipment



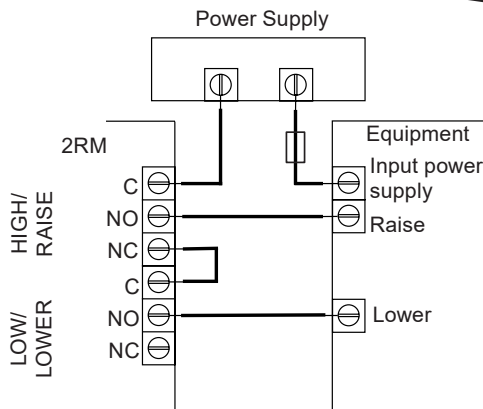
To meet safety requirements, for the 2 relays (OUT1 and OUT2), those being used must all be switching either low voltage or mains and not a mixture of voltages. If switching mains, they must all switch the same phase and polarity. Ensure that external circuits are suitably protected against fault currents that would exceed the ratings for the switching circuits provided in this product.

Contact ratings:
5 A @ 240 Vac (cosφ>=0.4)
Single phase only.
5 A @ 30 Vdc (resistive)
2 A @ 24 Vdc (inductive T<=30ms).

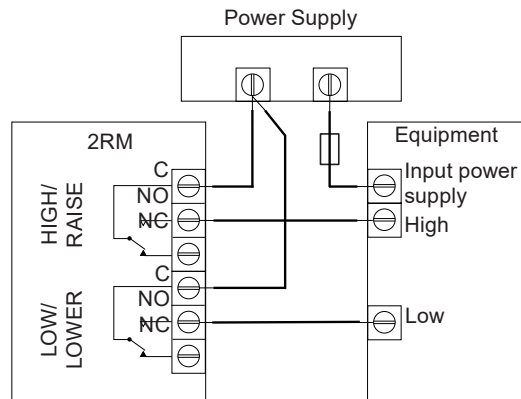
Cable size: 0.5 to 2.5 mm²
(20 to 14 AWG), CU only



if RLM (see step 4)



if HLM (see step 4)



Note that this wiring ensures both Raise and Lower outputs cannot be powered simultaneously.

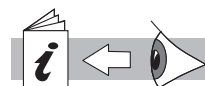
WARNING:



The wires may be connected to hazardous voltages. Disconnect power before attempting any wiring.



Arc suppression recommended



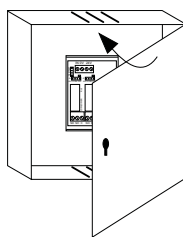
Relay Output Arc Suppression Installation Instructions (TG200208)

3 INSTALLATION (continued)

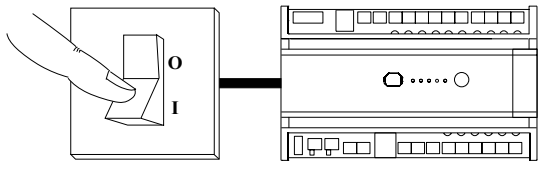
11 Configure IQ Controller

It is recommended to use SET (software tool) for configuring the controller. SET is supplied with 2RM strategy blocks for IQ1, IQ2, and IQ3/4 controllers. These can be used as they are or as examples
 There are 3 strategy blocks: HLM mode, RLM mode/analogue driver, RLM mode/RL driver

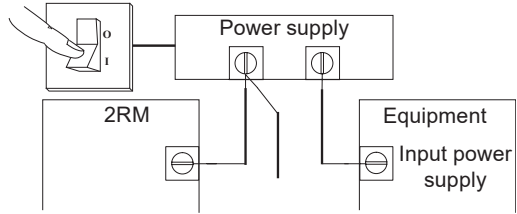
12 Close Panel



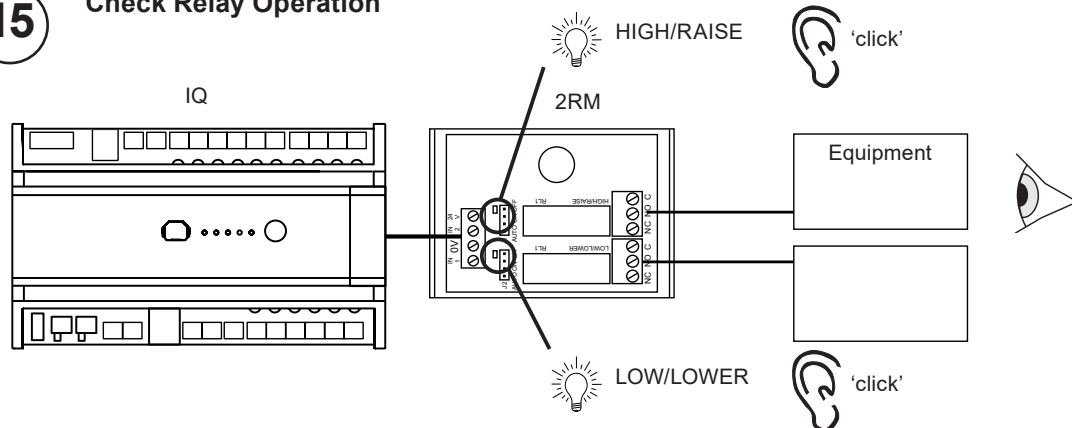
13 Switch On IQ Controller



14 Switch on Equipment Input Power Supply




15 Check Relay Operation



Note that the AUTO/ON/OFF links may be used to test 2RM to HVAC Equipment installation, however, when using manual overrides (ON, OFF), feeds switched from other relays on the same module, or interlocks with other relays may not be operative.

4 DISPOSAL

 **WEEE Directive:**
 At the end of their useful life the packaging and product should be disposed of by a suitable recycling centre.
 Do not dispose of with normal household waste.
 Do not burn.

Please send any comments about this or any other Trend technical publication to techpubs@trendcontrols.com



© 2020 Honeywell Products and Solutions SARL, Connected Building Division. All rights reserved. Manufactured for and on behalf of the Connected Building Division of Honeywell Products and Solutions SARL, Z.A. La Pièce, 16, 1180 Rolle, Switzerland by its Authorized Representative, Trend Control Systems Limited.

Trend Control Systems Limited reserves the right to revise this publication from time to time and make changes to the content hereof without obligation to notify any person of such revisions or changes.

Trend Control Systems Limited

St. Mark's Court, North Street, Horsham, West Sussex, RH12 1BW, UK. Tel: +44 (0)1403 211888, www.trendcontrols.com