

Important: Retain these instructions

These instructions shall be used by trained service personnel only. If the equipment is used in a manner not specified by these instructions, the protection provided by the equipment may be impaired.

<https://partners.trendcontrols.com>

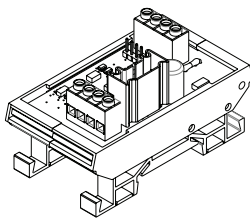


CONTENTS

1	Unpacking	1
2	Storing	1

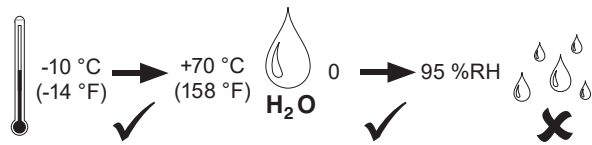
3	Installation	1
3.1	Installation - Mounting.....	1
4	Disposal.....	4

1 BOX CONTENTS



2VID (24 Vac/dc)
Installation Instructions
(TG200484)

2 STORING



3 INSTALLATION

It is recommended that the installation should comply with the local electrical safety installation practices (e.g. HSE Memorandum of Guidance on Electricity at Work Regulations 1989, USA National Electric Code).

3.1 Installation - Mounting

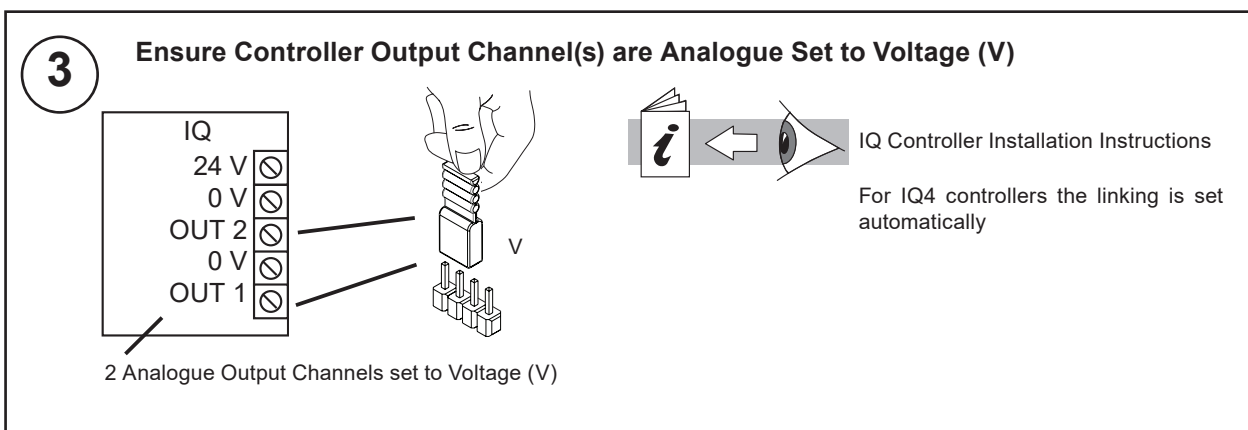
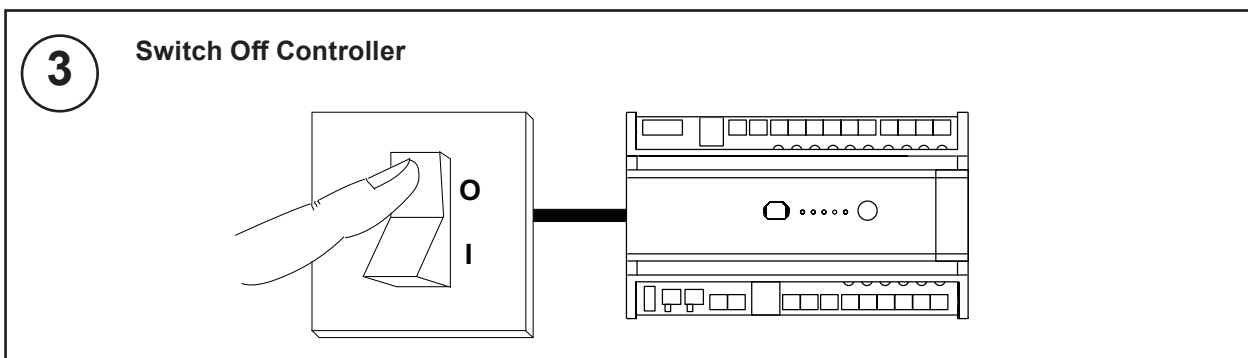
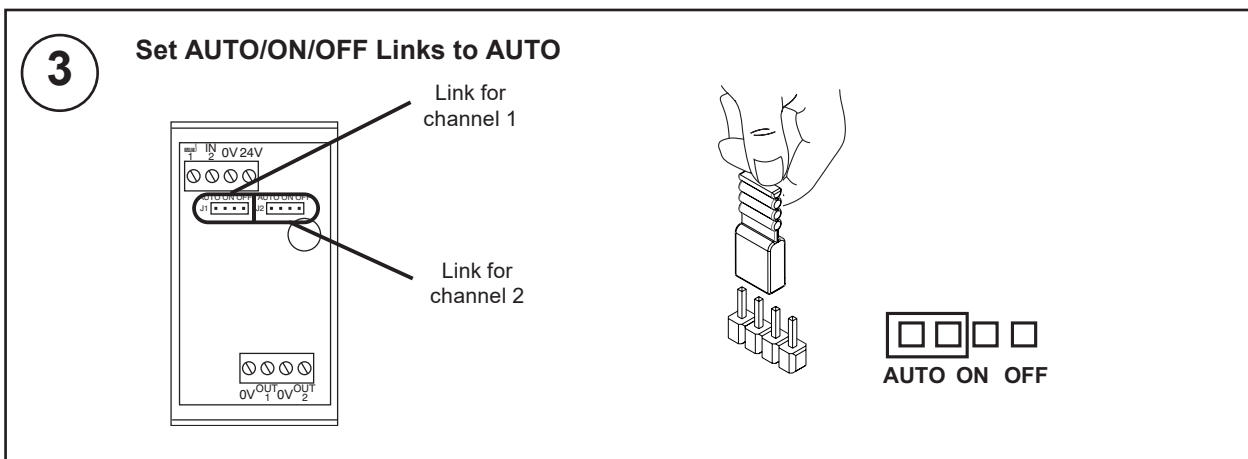
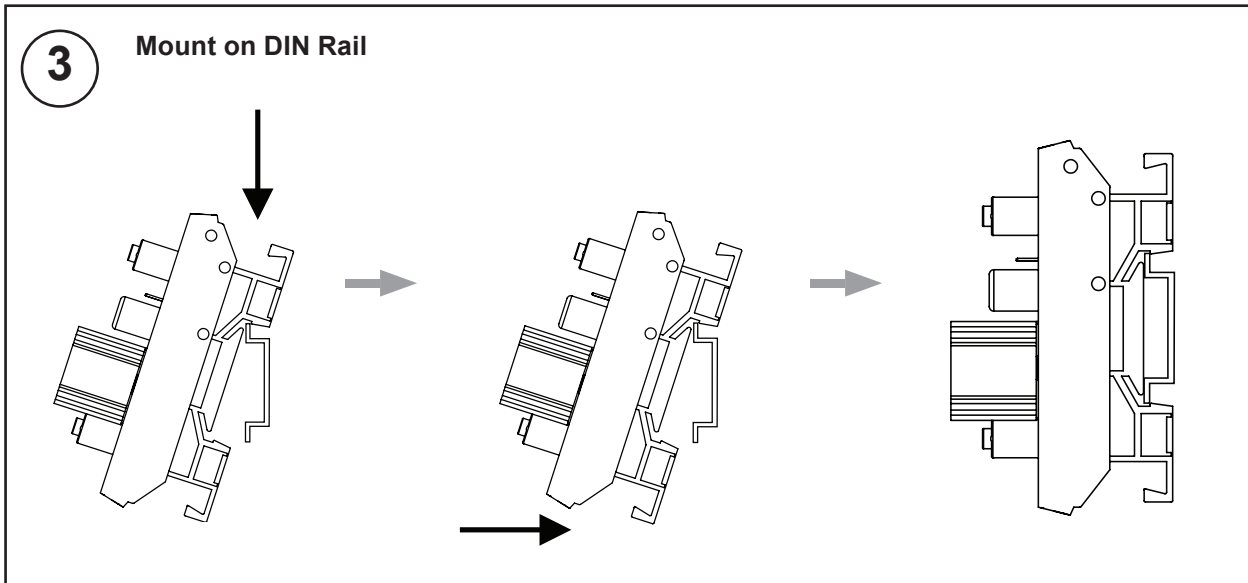
1

Dimensions

2

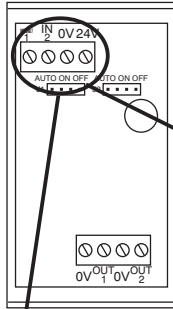
Requirements

3.1 Installation - Mounting (continued)



3.1 Installation - Mounting (continued)

7 Wire Module to Controller



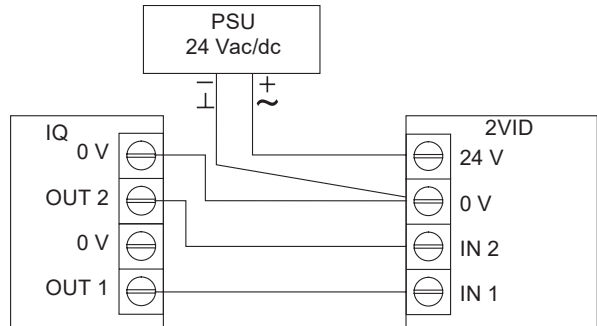
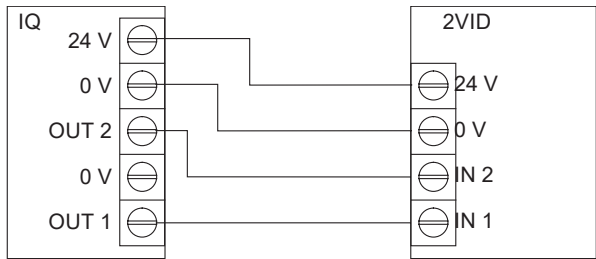
Maximum current consumed from supply: 24 Vac 135 mA, 24 Vdc 55 mA

One part screw terminals for 0.5 to 2.5 mm² cross section area (20 to 14 AWG) cable

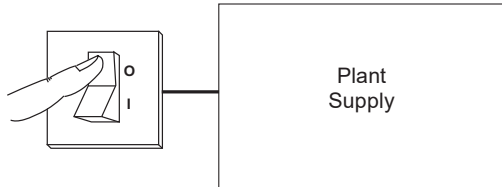
Note that external 24 V supply should be isolated or earthed (grounded) to IQ earth (ground); ensure correct polarity

either using IQ auxiliary supply

or using external 24 Vac/dc supply

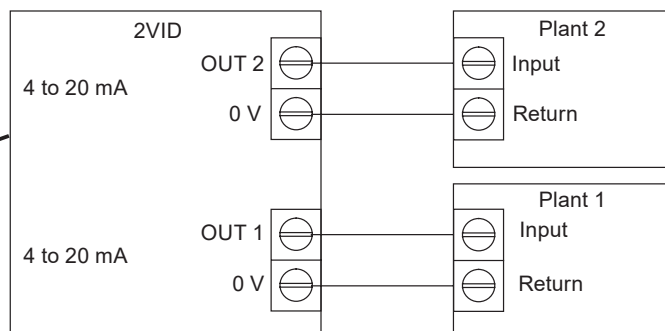
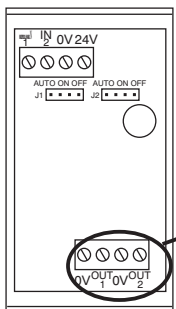


8 Ensure Plant Supply is Switched off

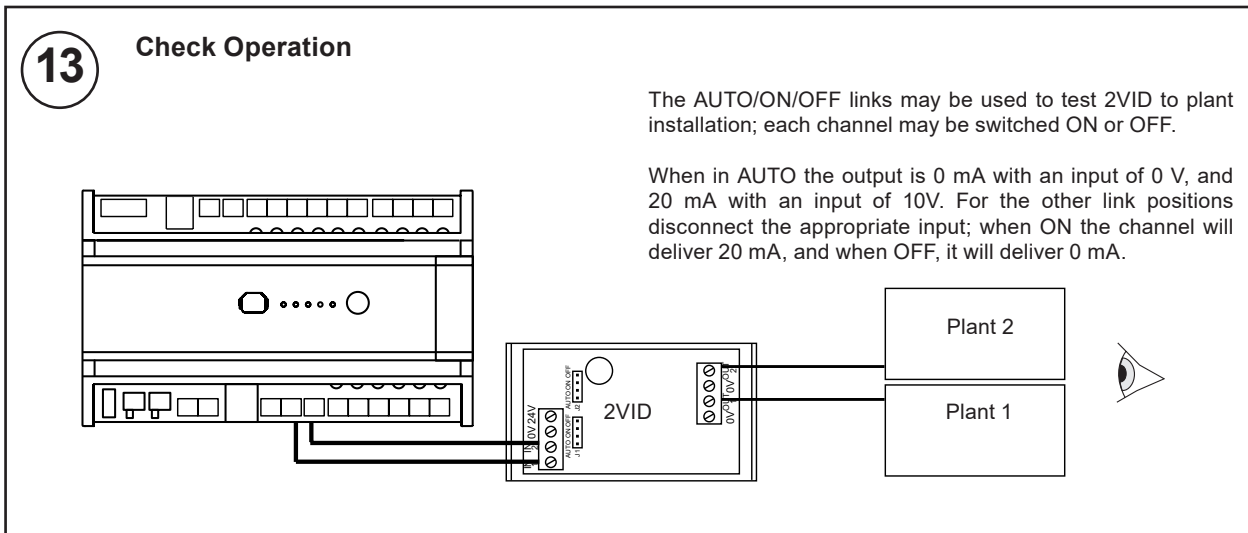
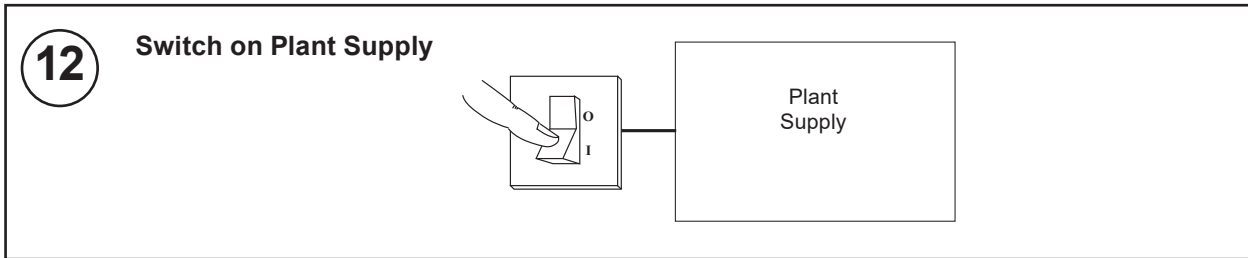
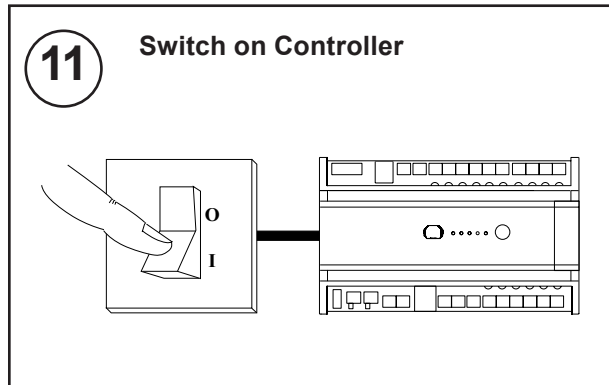
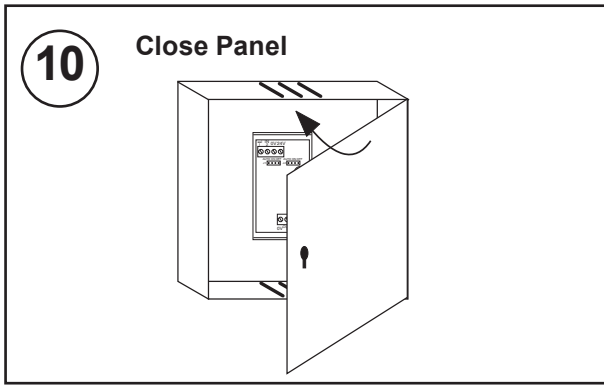


9 Connect Module to Plant


One part screw terminals for 0.5 to 2.5 mm² cross section area (20 to 14 AWG) cable



3.1 Installation - Mounting (continued)



5 DISPOSAL

 **WEEE Directive:**
 At the end of their useful life the packaging and product should be disposed of by a suitable recycling centre.
 Do not dispose of with normal household waste.
 Do not burn.

Please send any comments about this or any other Trend technical publication to techpubs@trendcontrols.com



© 2021 Honeywell Products and Solutions SARL, Connected Building Division. All rights reserved. Manufactured for and on behalf of the Connected Building Division of Honeywell Products and Solutions SARL, Z.A. La Pièce, 16, 1180 Rolle, Switzerland by its Authorized Representative, Trend Control Systems Limited.

Trend Control Systems Limited reserves the right to revise this publication from time to time and make changes to the content hereof without obligation to notify any person of such revisions or changes.

Trend Control Systems Limited

St. Mark's Court, North Street, Horsham, West Sussex, RH12 1BW, UK. Tel: +44 (0)1403 211888, www.trendcontrols.com