

### Important: Retain these instructions

These instructions shall be used by trained service personnel only. If the equipment is used in a manner not specified by these instructions, the protection provided by the equipment may be impaired.

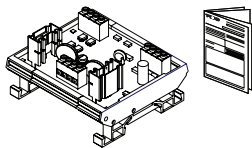
<https://partners.trendcontrols.com>



### CONTENTS

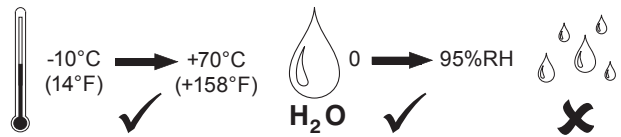
1	Unpacking .....	1	5	Cleaning and Maintenance .....	4
2	Storing .....	1	6	Disposal.....	4
3	Installation .....	1			

### 1 BOX CONTENTS



DPCM (24 Vac/dc) Installation  
Instruction (TG200482)

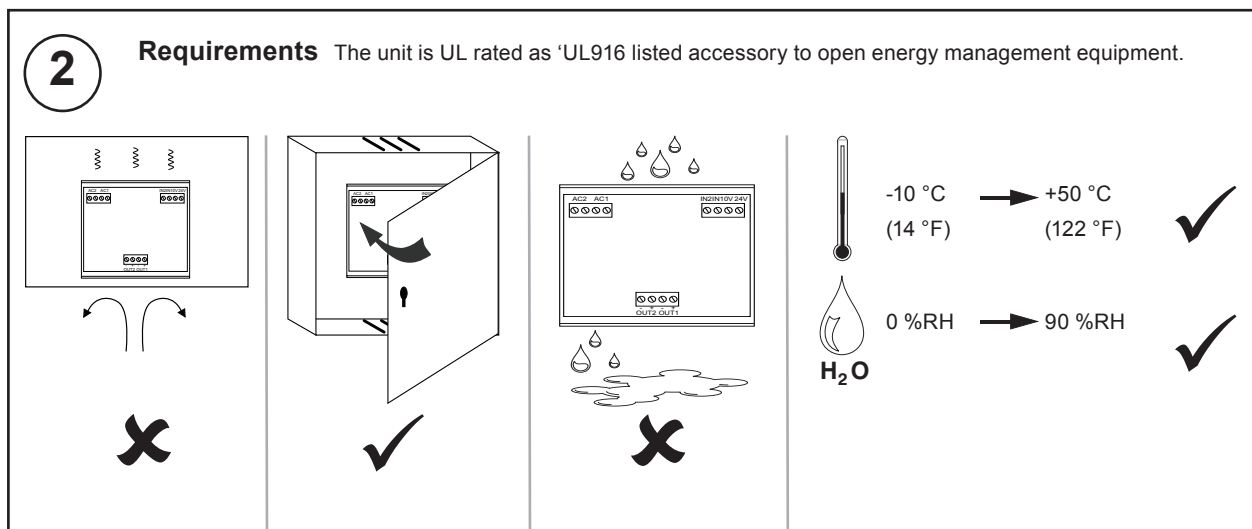
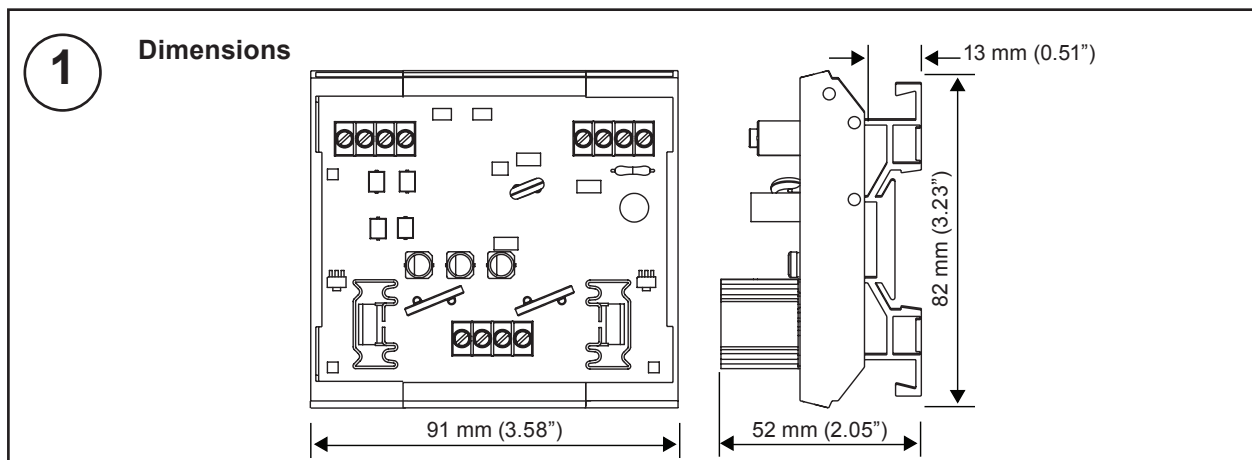
### 2 STORING



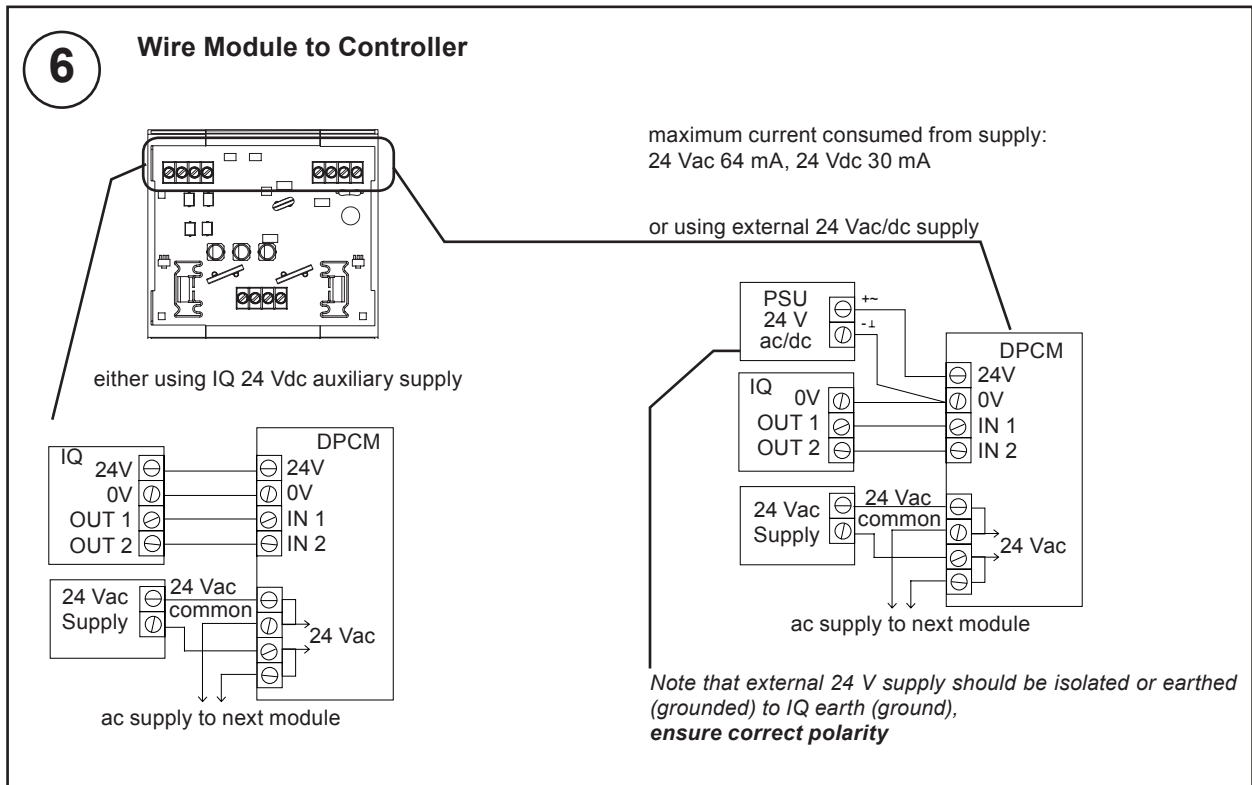
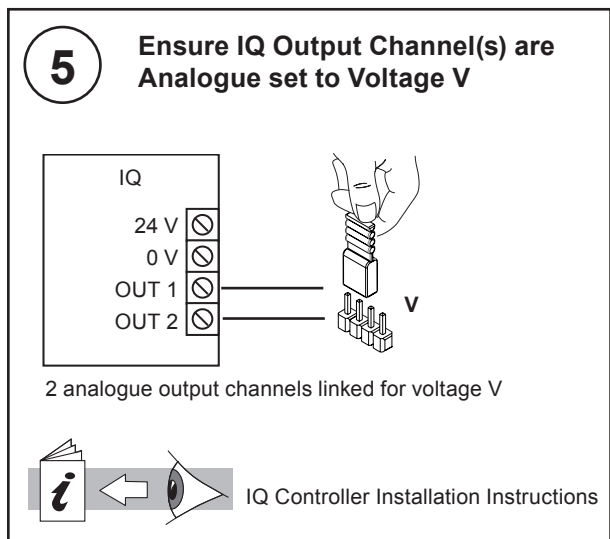
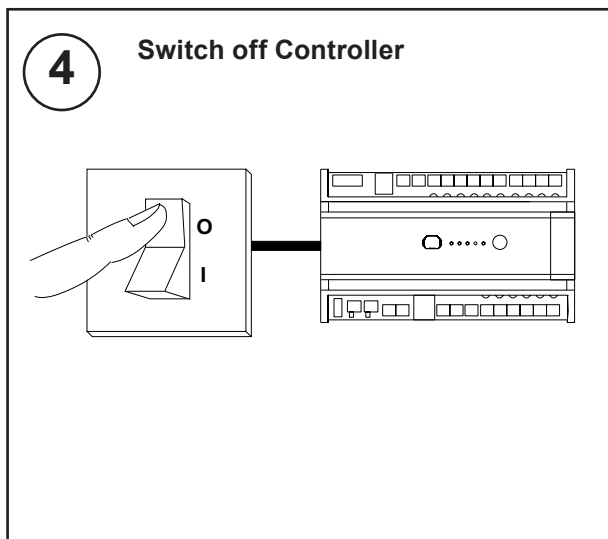
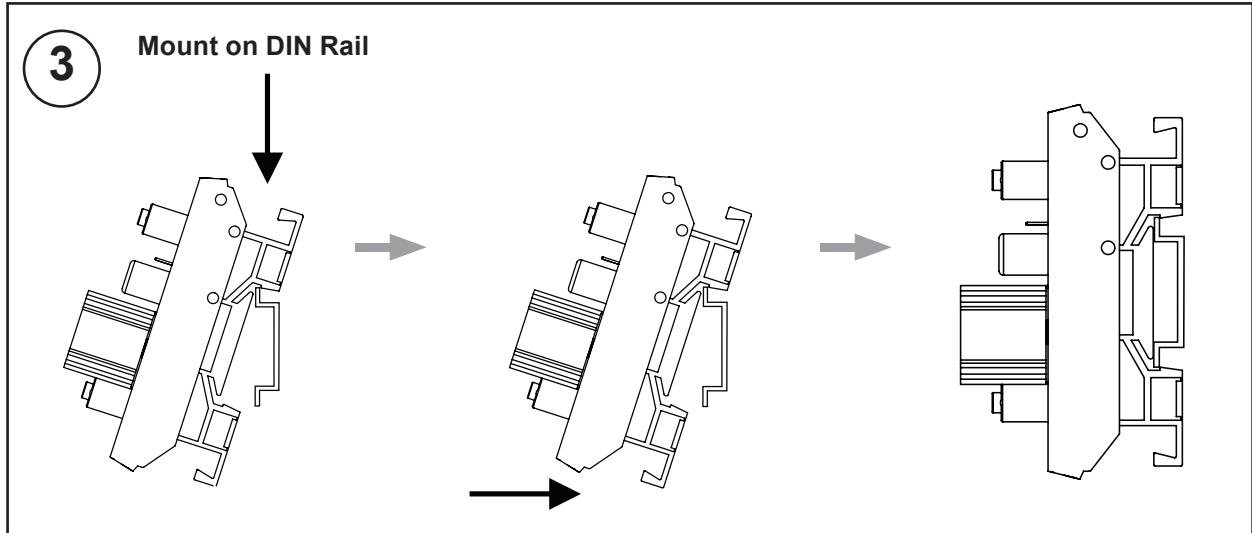
### 3 INSTALLATION

It is recommended that the installation should comply with the local electrical safety installation practices (e.g. HSE Memorandum of Guidance on Electricity at Work Regulations 1989, USA National Electric Code).

#### 3.1 Installation - Mounting



3.1 Installation - Mounting (continued)



3.1 Installation - Mounting (continued)

**6 Wire Module to Controller** (continued)

Using 24 Vac external supply for both control and output supplies

Note that external 24 V supply should be isolated or earthed (grounded) to IQ earth (ground); ensure correct polarity

**7 Ensure Power Supply to HVAC Equipment is Switched Off**

**8 Connect Module to HVAC Equipment**

**WARNING:** The wires may be connected to hazardous voltages. Disconnect power before attempting any wiring.

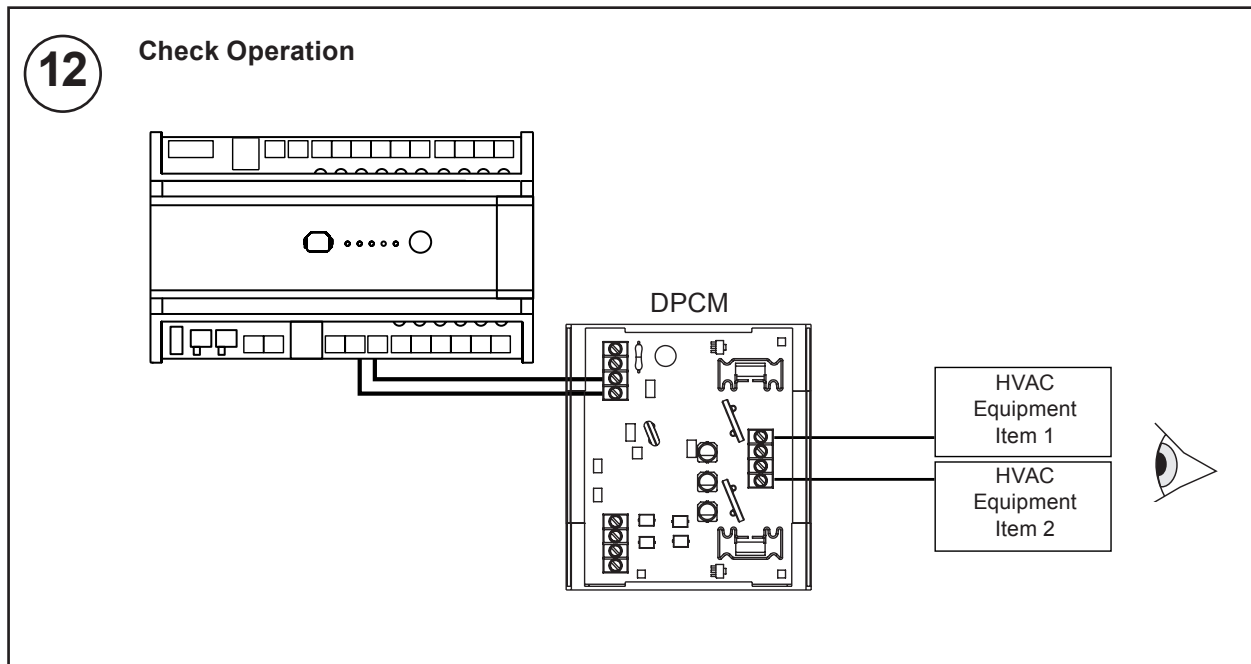
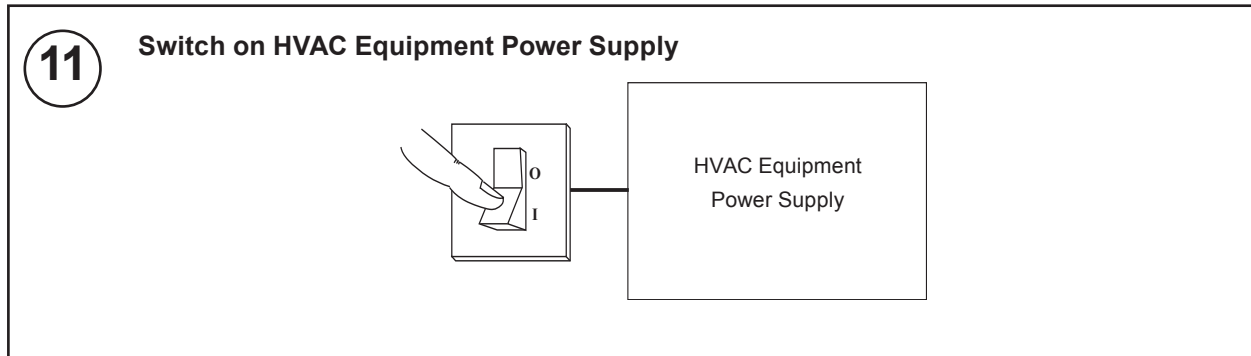
**CAUTION**

No circuit protection is provided against output short circuits; if this occurs the circuit may be damaged. The outputs must not be connected or disconnected when the DPCM is powered. The output circuit must not contain any other switch circuit, such as manual override; if required, these must be implemented either in the controller strategy, or in the 10 V signal. The outputs should be connected only to their loads (i.e. kept isolated from earth or other supplies).

**9 Close Panel**

**10 Switch on Controller**


3.1 Installation - Mounting (continued)



4 FIELD MAINTENANCE

The DPCM 24VAC/DC requires no routine maintenance.

5 DISPOSAL



**WEEE Directive:**  
 At the end of their useful life the packaging and product should be disposed of by a suitable recycling centre.  
 Do not dispose of with normal household waste.  
 Do not burn.

Please send any comments about this or any other Trend technical publication to [techpubs@trendcontrols.com](mailto:techpubs@trendcontrols.com)

© 2015 Honeywell Technologies Sàrl, ECC Division. All rights reserved. Manufactured for and on behalf of the Environmental and Combustion Controls Division of Honeywell Technologies Sàrl, Z.A. La Pièce, 16, 1180 Rolle, Switzerland by its Authorized Representative, Trend Control Systems Limited.

Trend Control Systems Limited reserves the right to revise this publication from time to time and make changes to the content hereof without obligation to notify any person of such revisions or changes.

**Trend Control Systems Limited**

Albery House, Springfield Road, Horsham, West Sussex, RH12 2PQ, UK. Tel:+44 (0)1403 211888 Fax:+44 (0)1403 241608 [www.trendcontrols.com](http://www.trendcontrols.com)



TR CU Certification