

Important: Retain these instructions

These instructions shall be used by trained service personnel only. If the equipment is used in a manner not specified by these instructions, the protection provided by the equipment may be impaired.

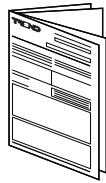
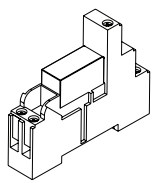
<https://partners.trendcontrols.com>



CONTENTS

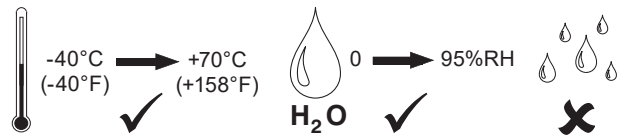
1	Unpacking	1	3.1	Installation - Mounting.....	1
2	Storing	1	4	Removing from DIN Rail	10
3	Installation	1	5	Cleaning and Maintenance	11
			6	Disposal.....	11
			7	End User Licence Agreement.....	12

1 BOX CONTENTS



SRMAC Installation Instruction (TG101985)

2 STORING



3 INSTALLATION

1 Dimensions

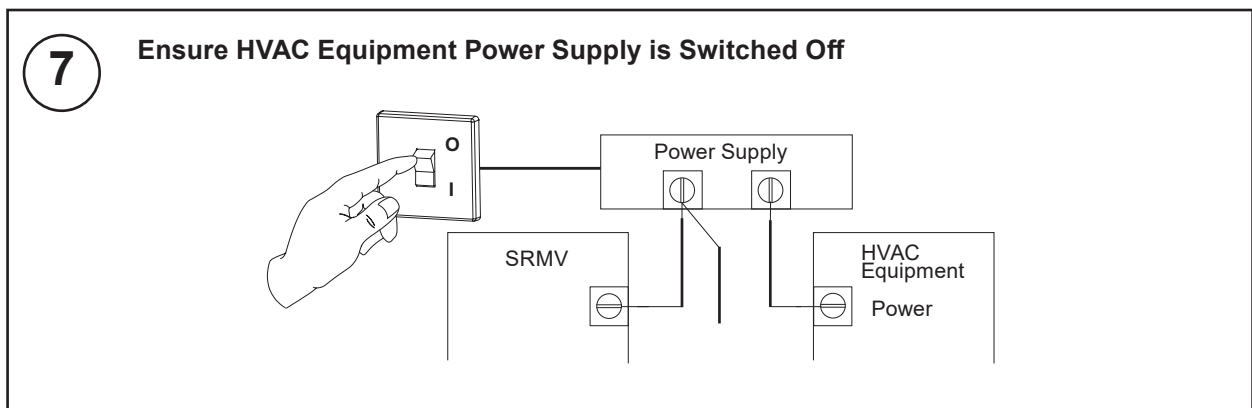
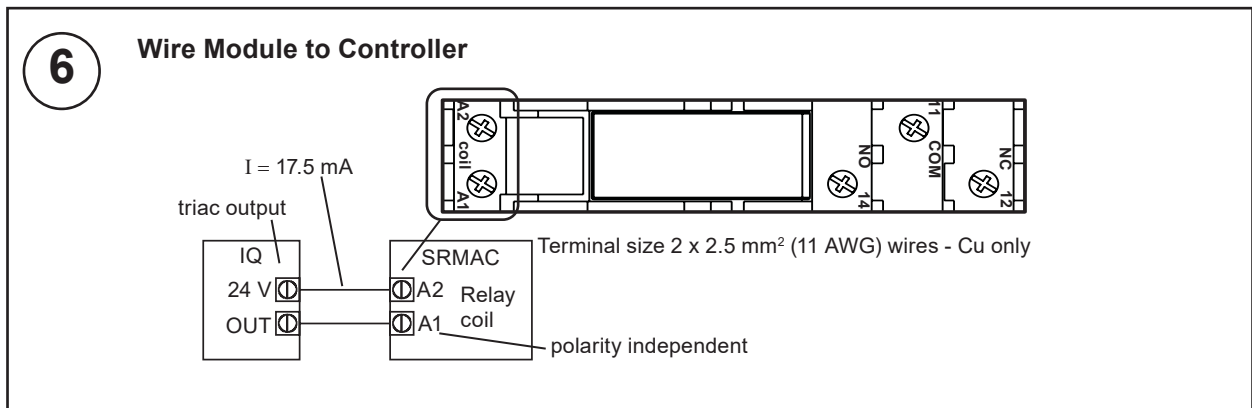
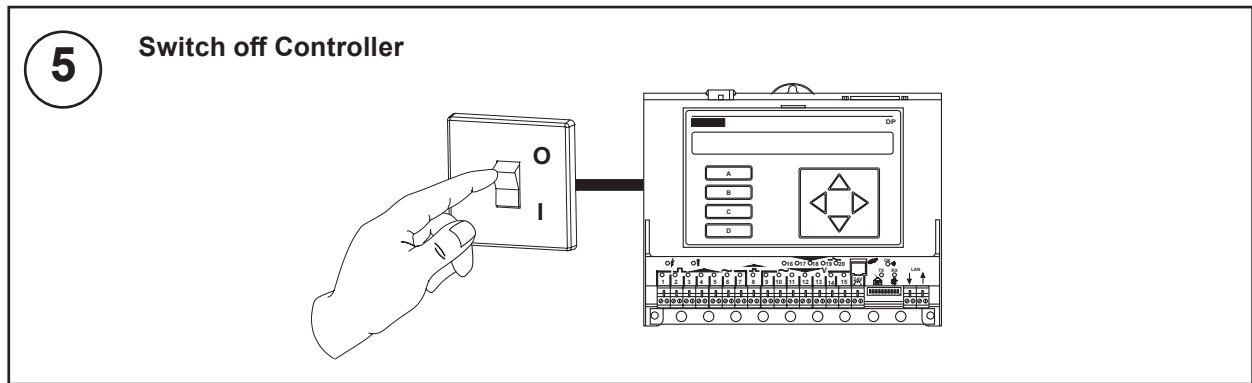
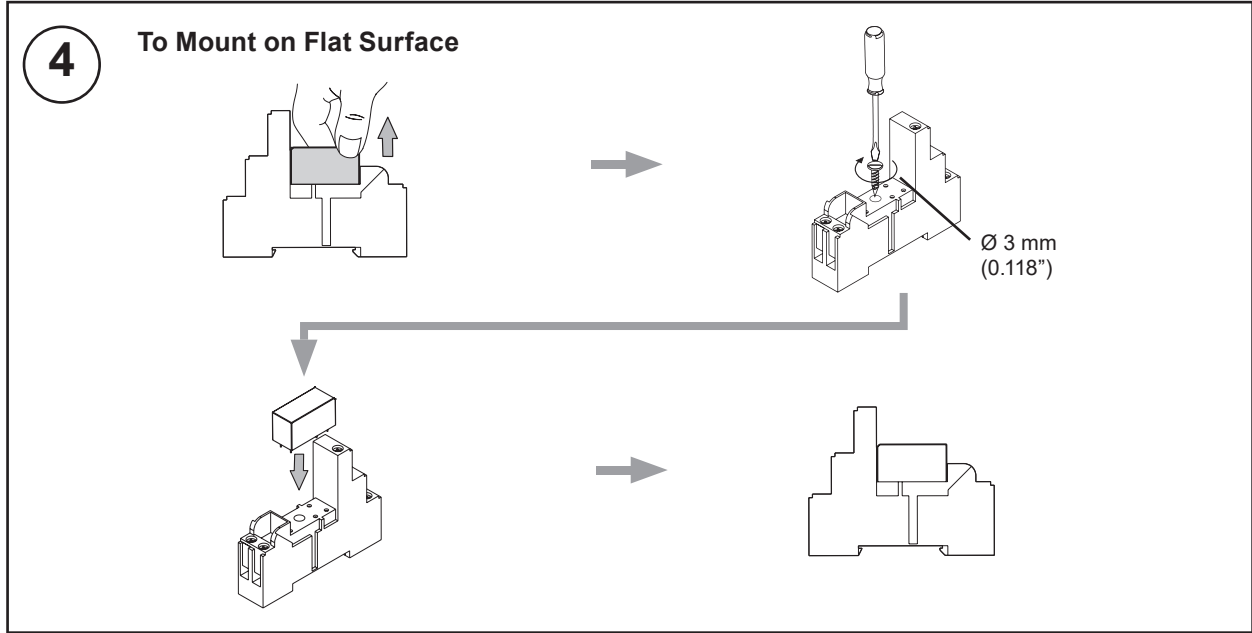
It is recommended that the installation should comply with the local electrical safety installation practices (e.g. HSE Memorandum of Guidance on Electricity at Work Regulations 1989, USA National Electric Code).

2 Mounting Requirements

3 To Mount on Din Rail

Standard top hat DIN rail (DIN 46277-3, EN50022, BS5584:1978)

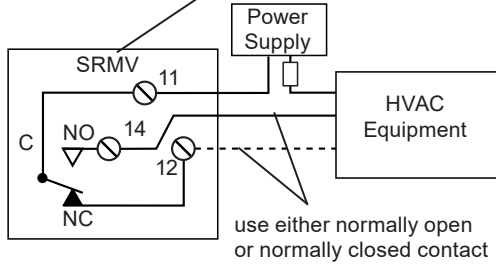
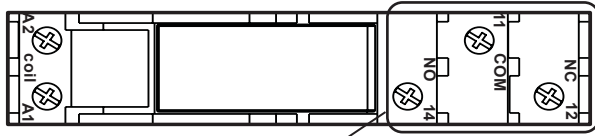
3 INSTALLATION (continued)



3 INSTALLATION (continued)

8

Connect Relay to HVAC Equipment



Ensure that external circuits are suitably protected against fault currents that would exceed the ratings for the switching circuits provided in this product.

Terminal size 2 x 2.5 mm² (11 AWG) wires - Cu only
 250 Vac @ 8 A (resistive), 5 A (inductive, cos φ ≥ 0.4)
 20 Vdc @ 8 A (resistive)
 24 Vdc @ 2 A (inductive, T ≤ 30 ms)

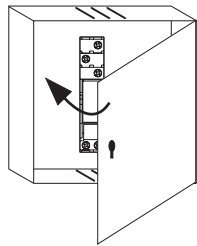
WARNING: The wires may be connected to hazardous voltages. Disconnect power before attempting any wiring.

Arc suppression recommended

Relay Output Arc Suppression Installation Instructions TG200208

9

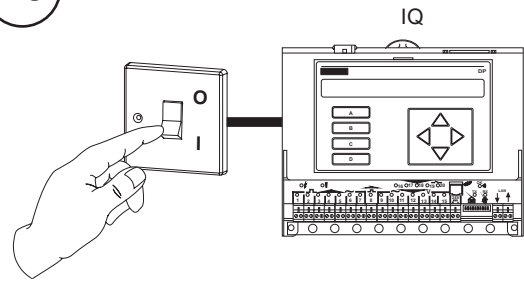
Close Panel



The unit is UL rated

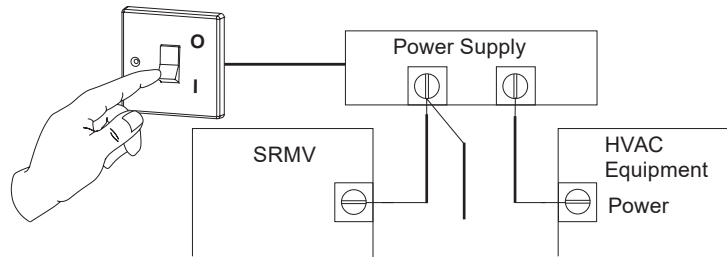
10

Switch on Controller



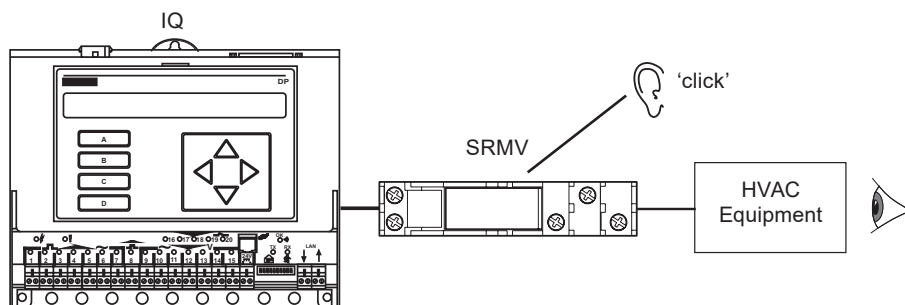
11

Switch on HVAC Equipment Power Supply




12

Check Relay Operation



4 DISPOSAL



WEEE Directive:
At the end of their useful life the packaging and product should be disposed of by a suitable recycling centre.

Do not dispose of with normal household waste.
Do not burn.

Please send any comments about this or any other Trend technical publication to techpubs@trendcontrols.com



© 2021 Honeywell Technologies Sàrl, E&ES Division. All rights reserved. Manufactured for and on behalf of the Environmental & Energy Solutions Division of Honeywell Technologies Sàrl, Z.A. La Pièce, 16, 1180 Rolle, Switzerland by its Authorized Representative, Trend Control Systems Limited.

Trend Control Systems Limited reserves the right to revise this publication from time to time and make changes to the content hereof without obligation to notify any person of such revisions or changes.

Trend Control Systems Limited

St. Mark's Court, North Street, Horsham, West Sussex, RH12 1BW, UK. Tel: +44 (0)1403 211888, www.trendcontrols.com